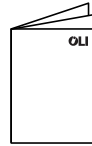
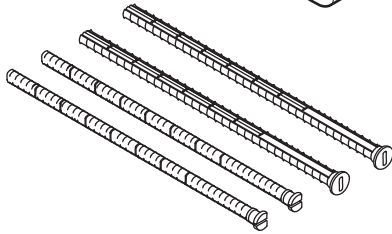
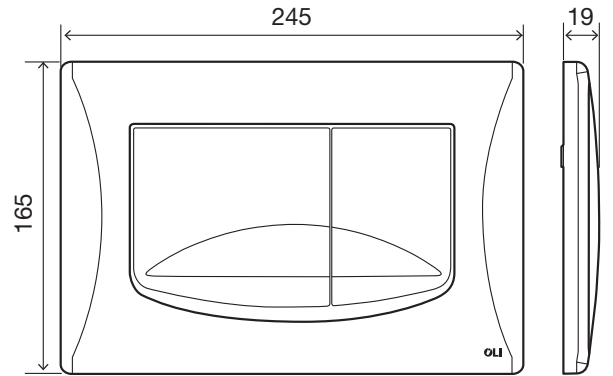
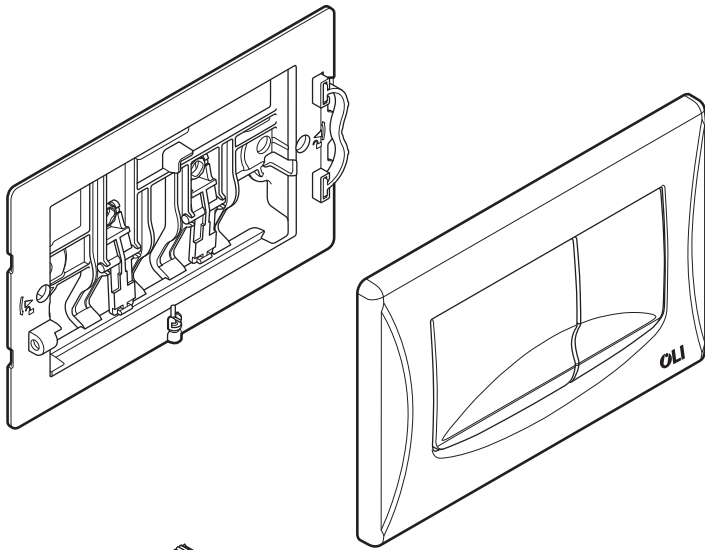
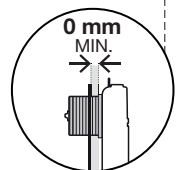
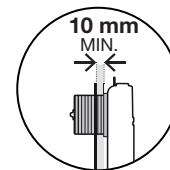
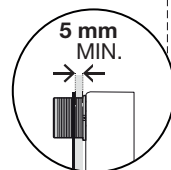
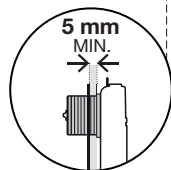
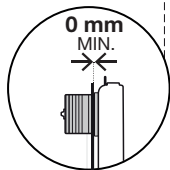
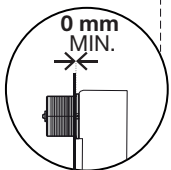
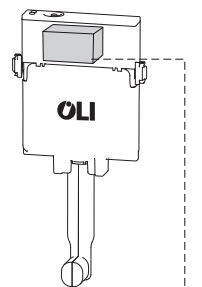
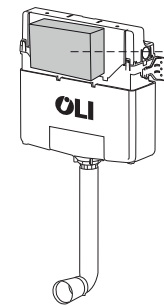
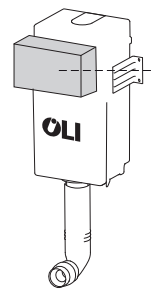
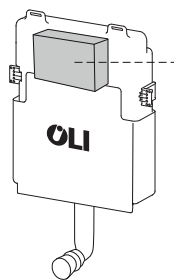
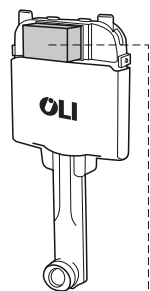
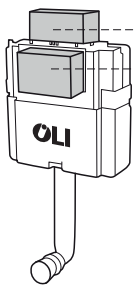
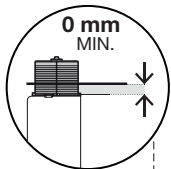


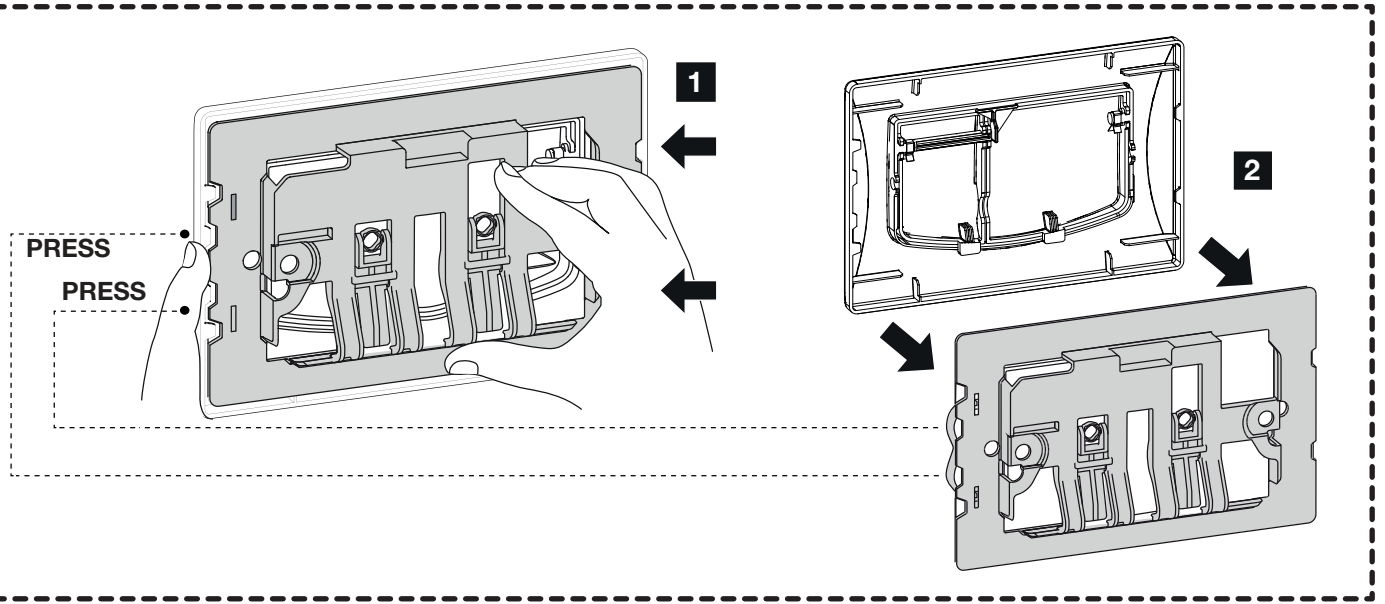
RIVER DUAL

MECHANICAL



(dimensions in millimeters)

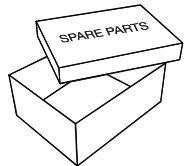
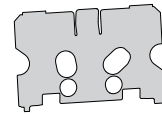
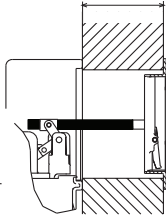
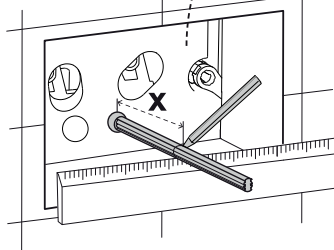
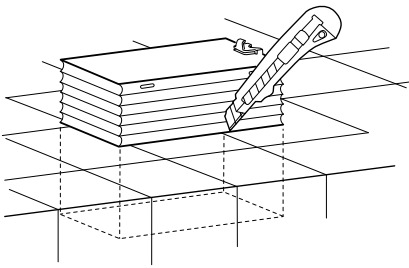




1A

TOP

$X < 30\text{mm}$



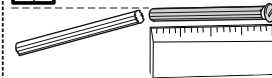
x2



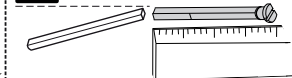
x2



$\leftarrow X + 10\text{mm} \rightarrow$



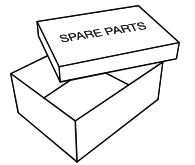
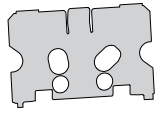
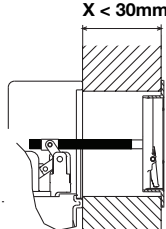
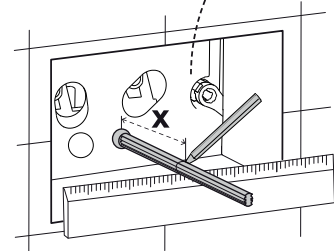
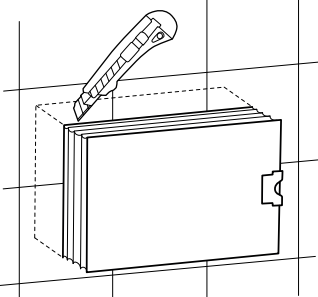
$\leftarrow X + 75\text{mm} \rightarrow$



1B

FRONT

$X < 30\text{mm}$



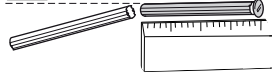
x2



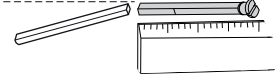
x2



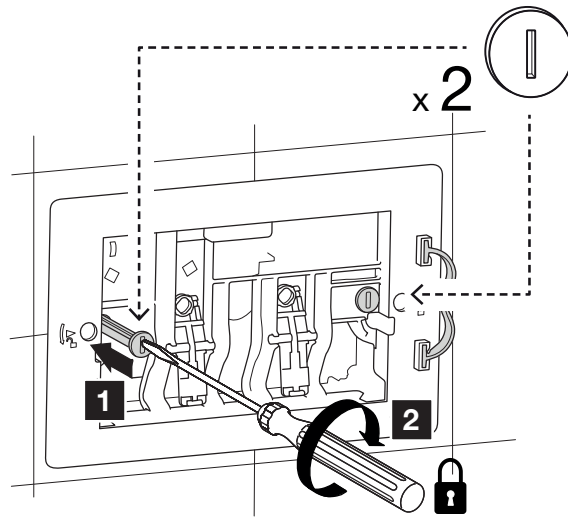
$\leftarrow X + 45\text{mm} \rightarrow$



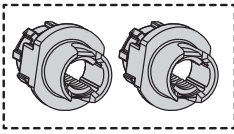
$\leftarrow X + 30\text{mm} \rightarrow$



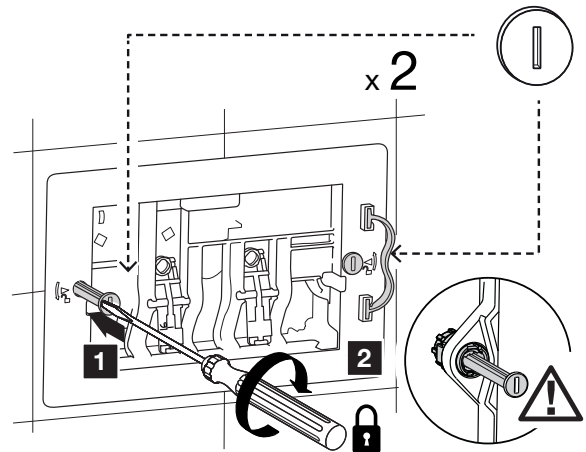
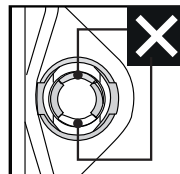
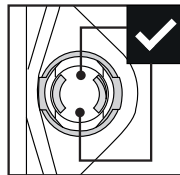
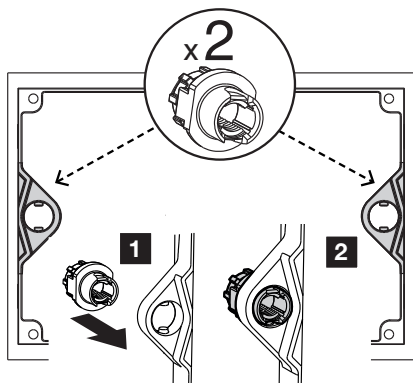
2



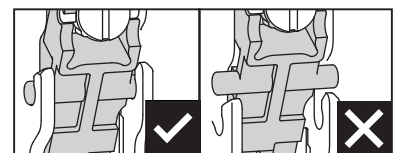
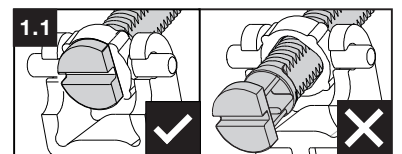
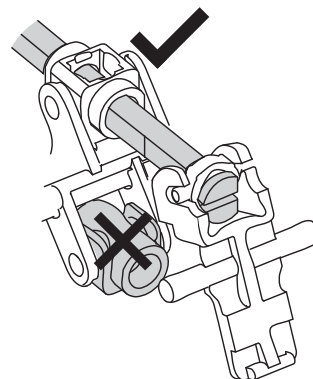
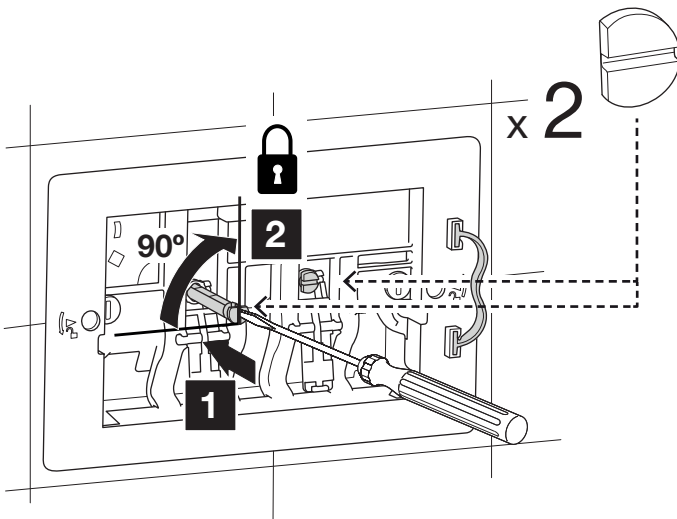
i



Cod.037152
Fixation kit <09
Order separately



3



4

