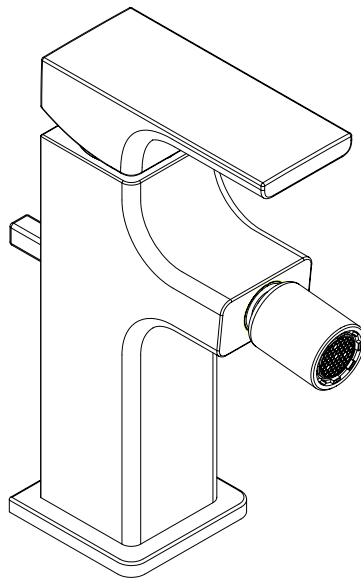
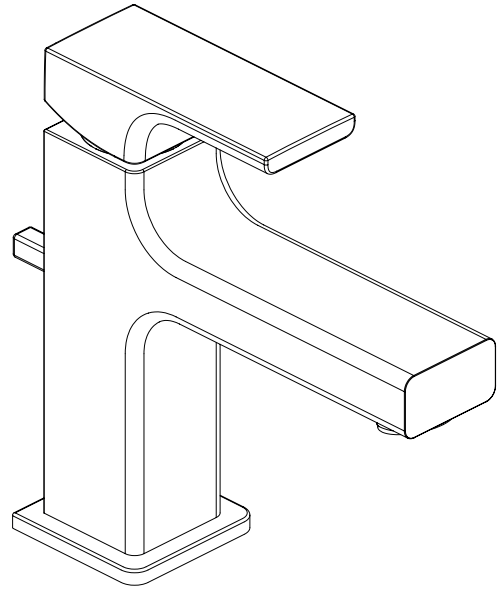
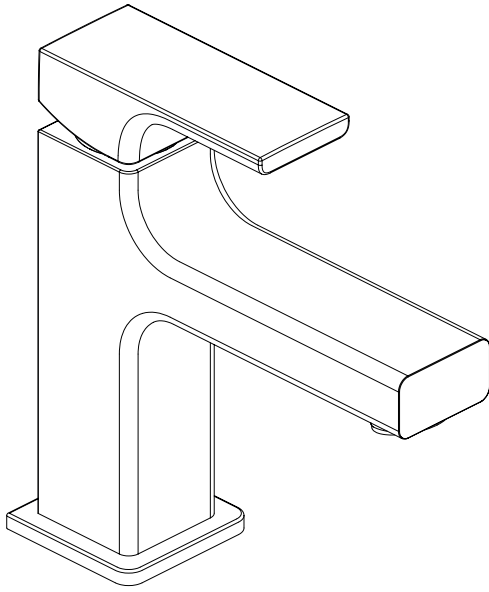
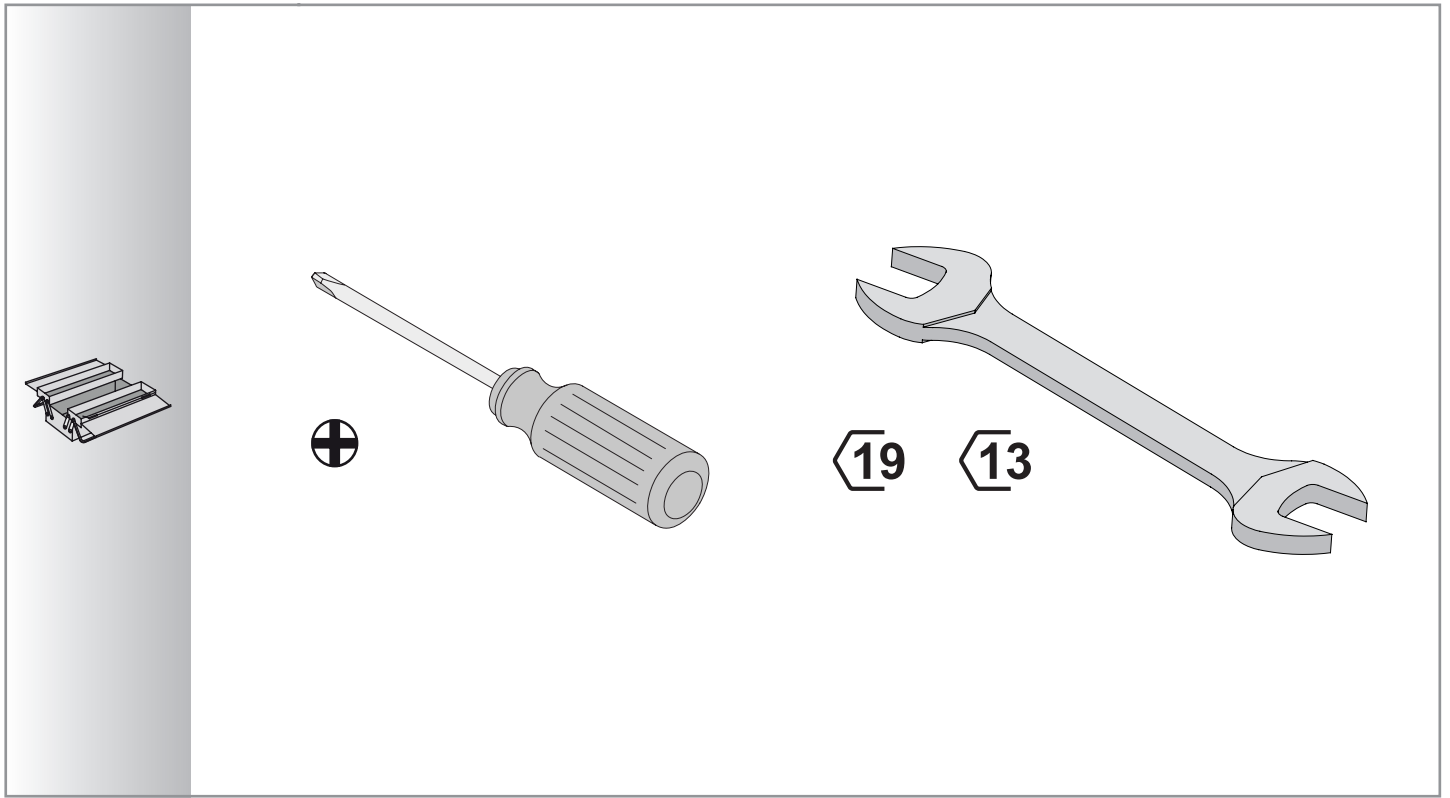



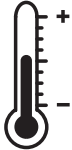
Jacob Delafon

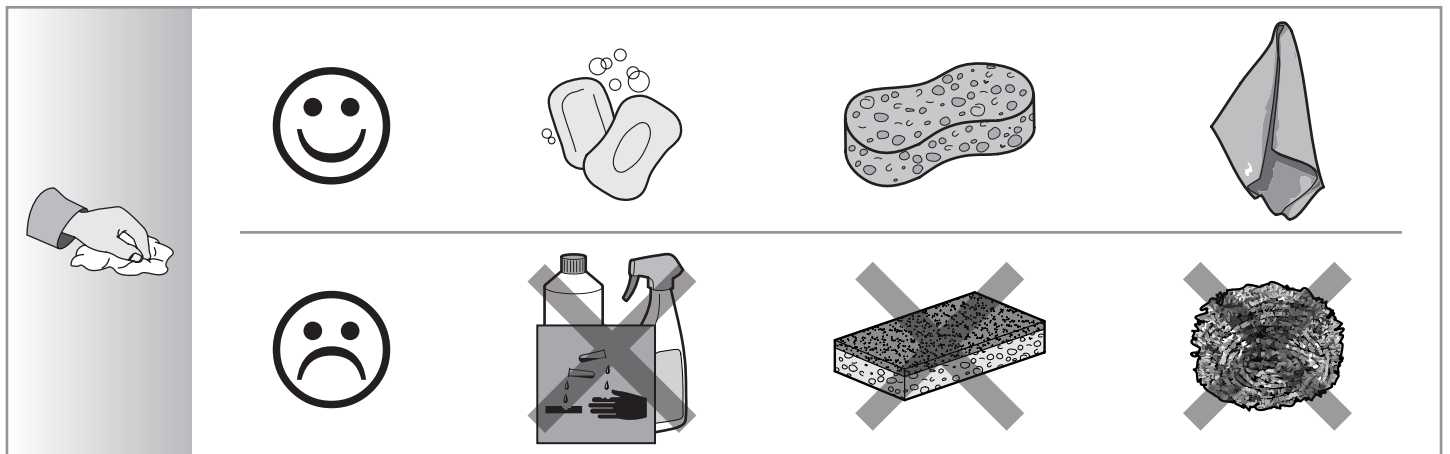
STRAYT

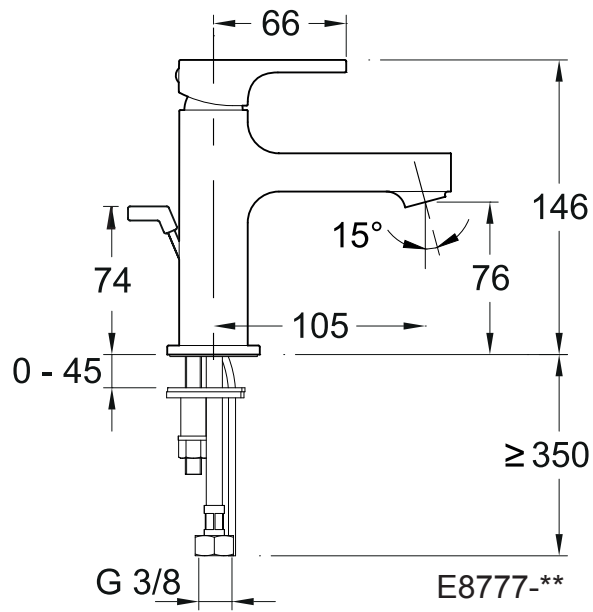
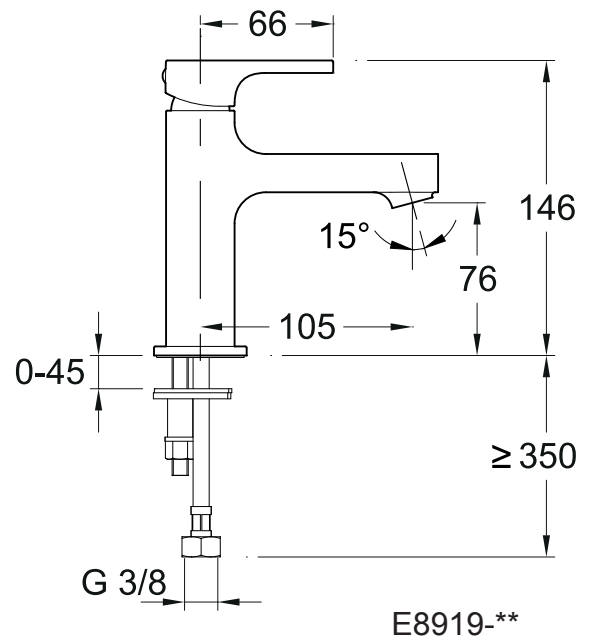
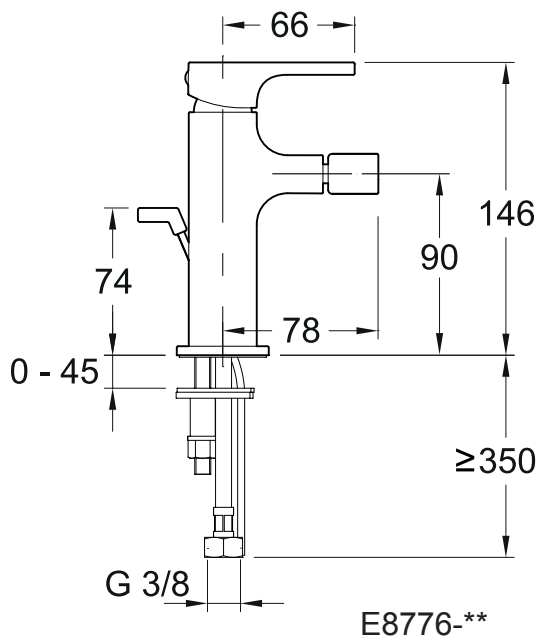




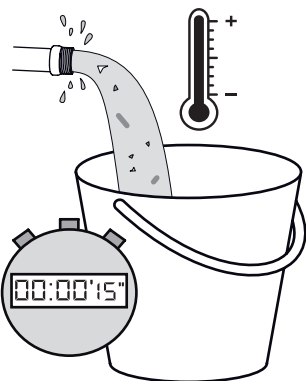
	
P	Bar
0.5 < 3 < 6	

	
T	°C
55 < 60 < 65	

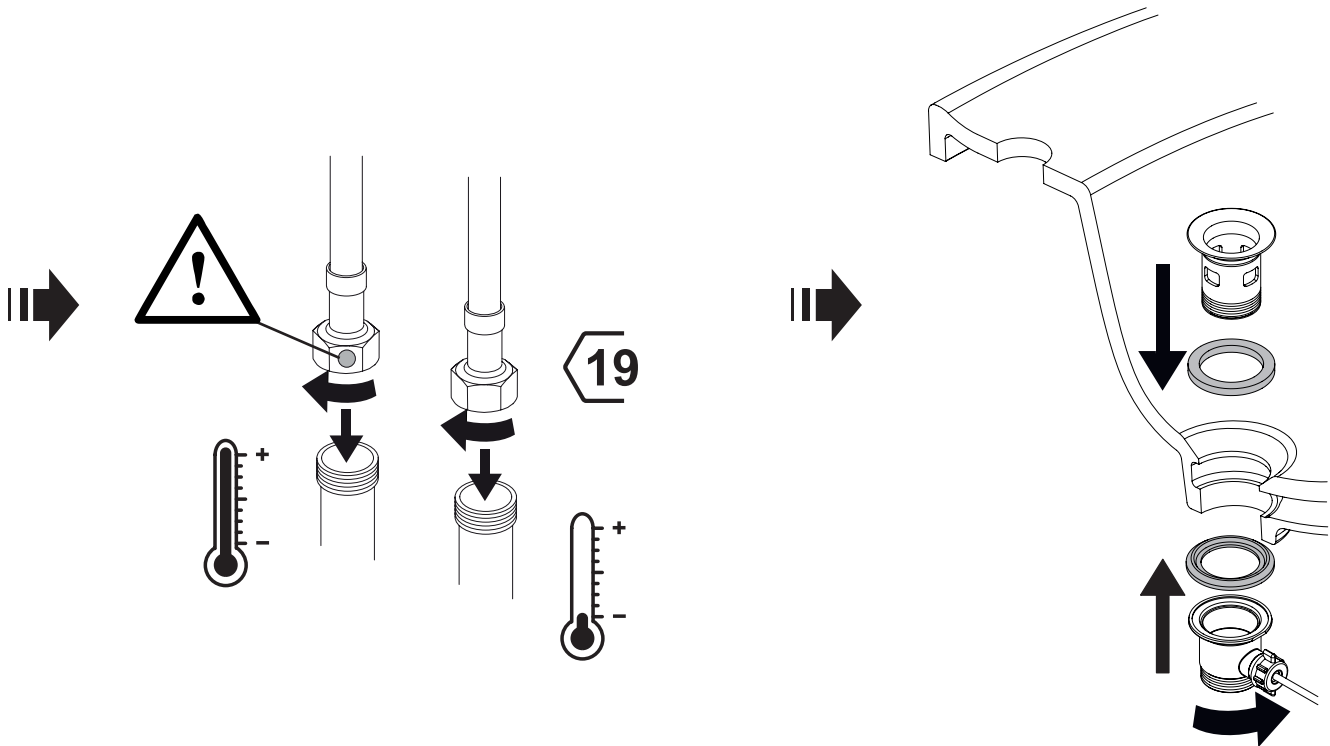
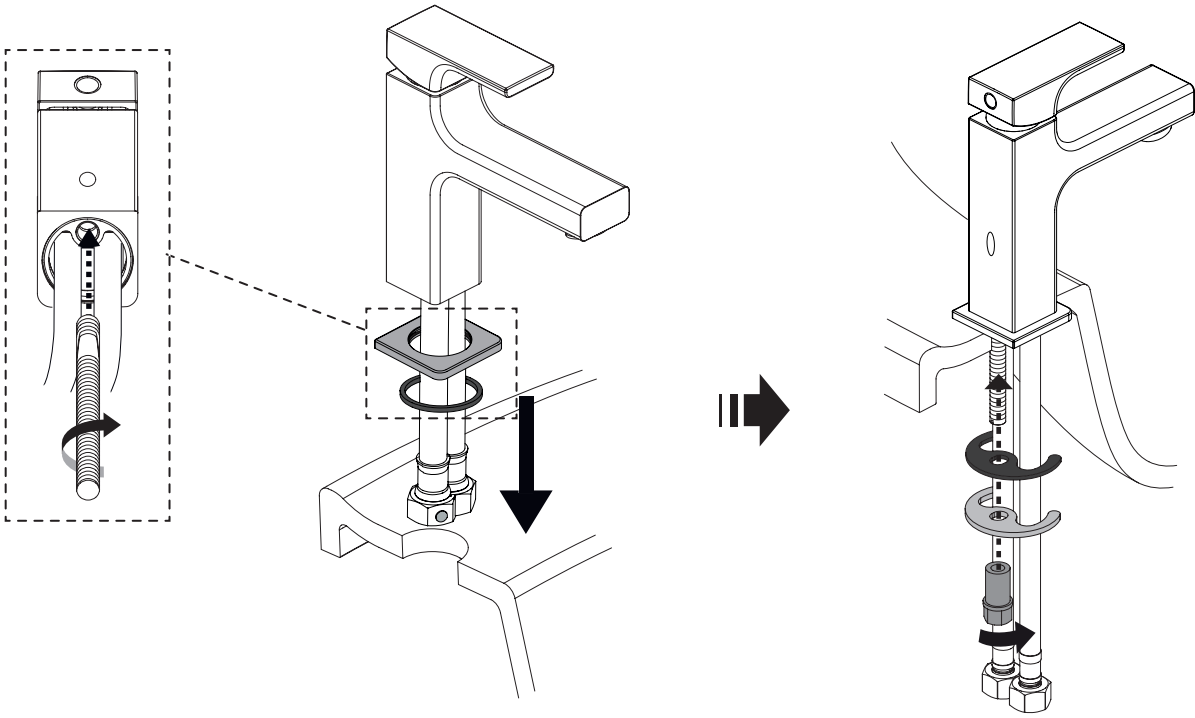
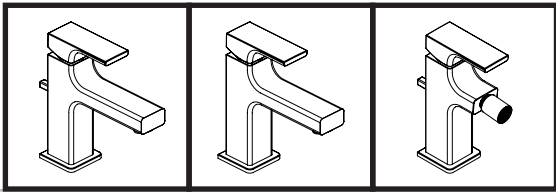


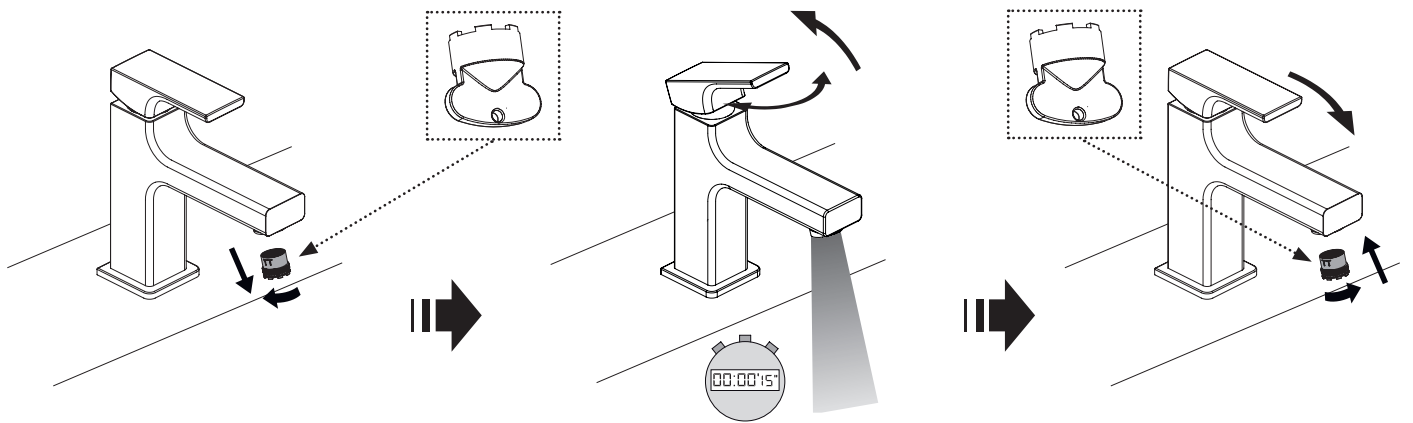
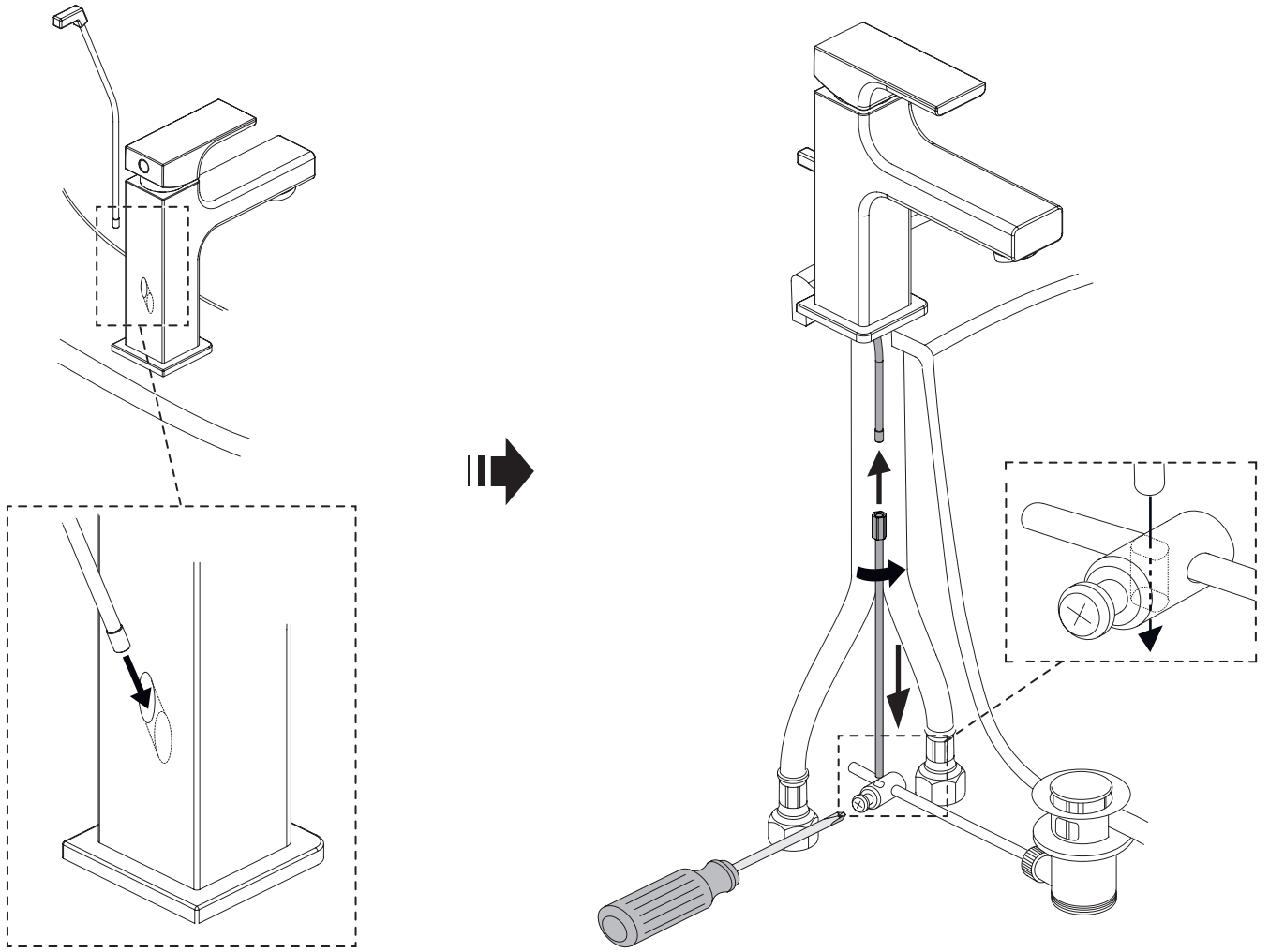


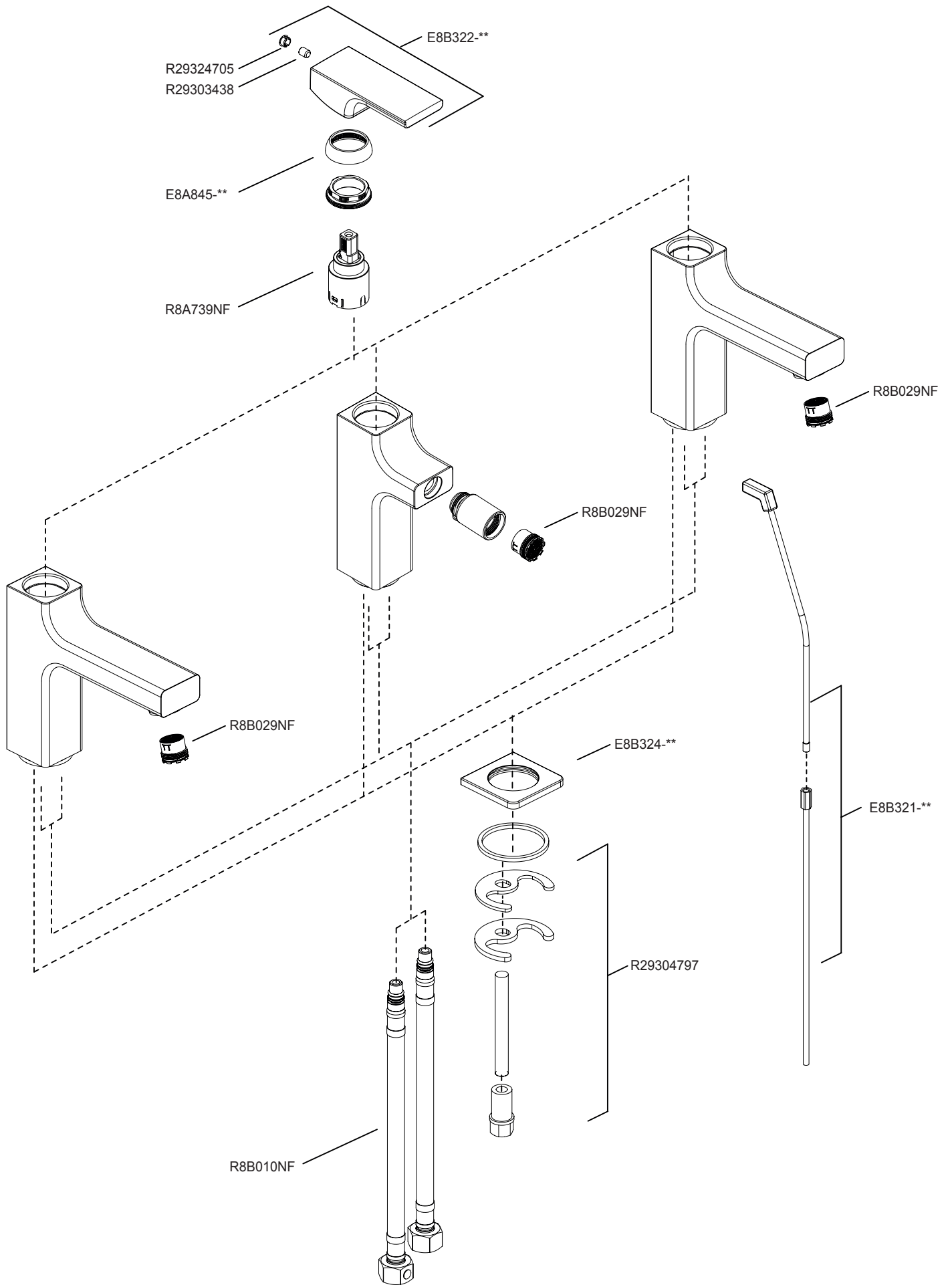
1



2







Jacob Delafon