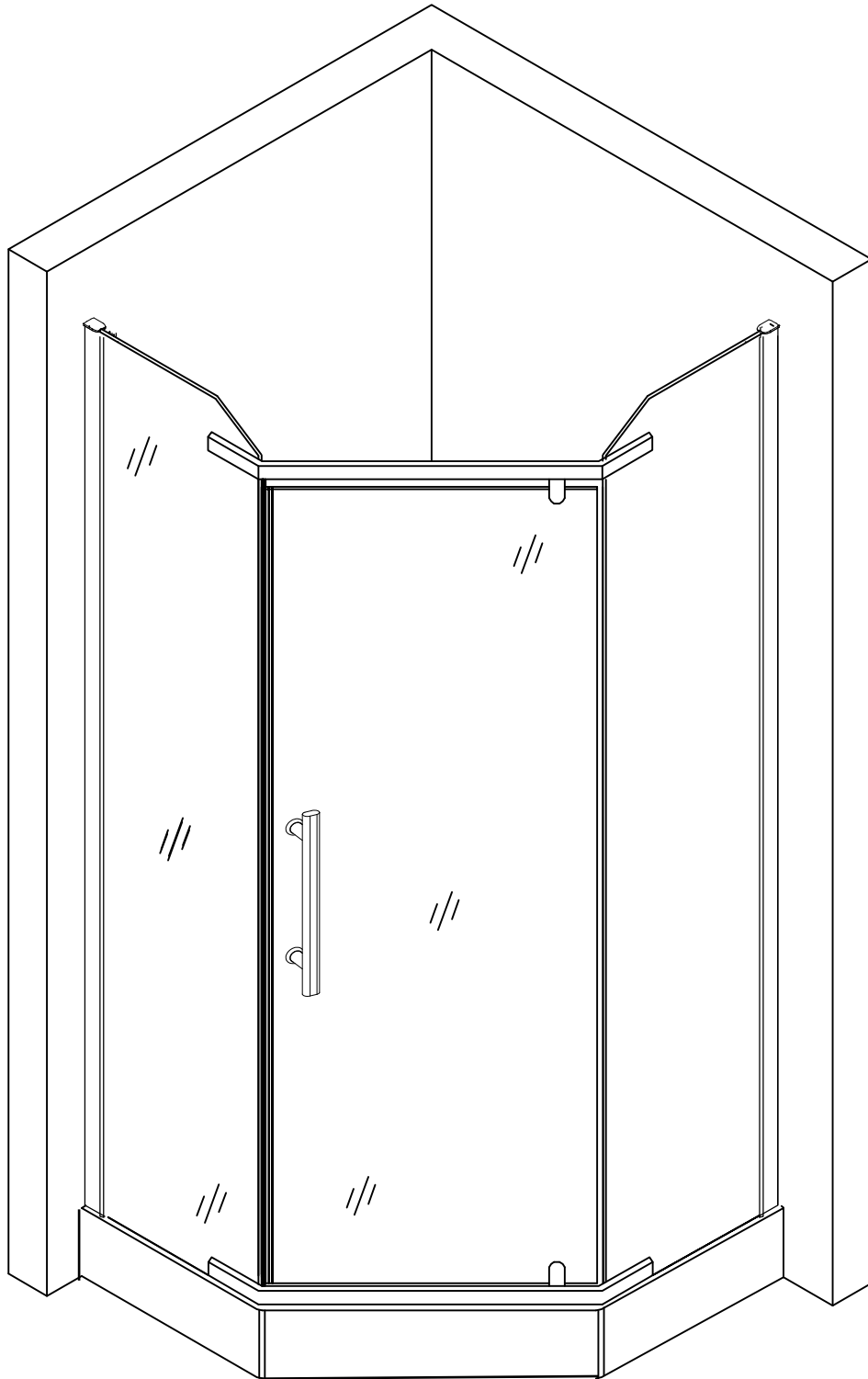









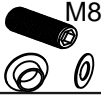


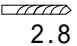
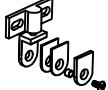
Installation Manual

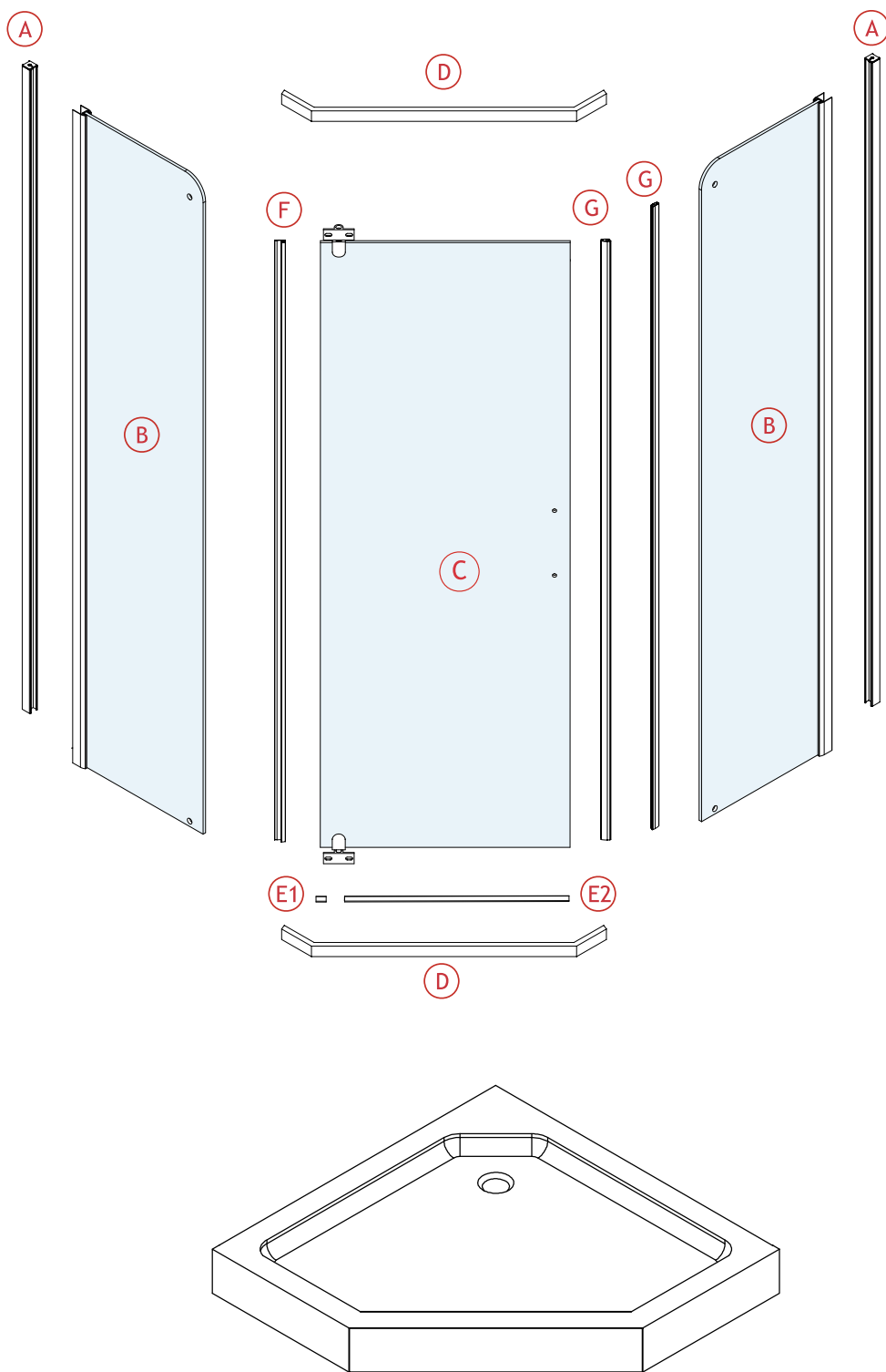


MODEL: ESD-8160/ESD-8170

SIZE: 900*900*2000MM

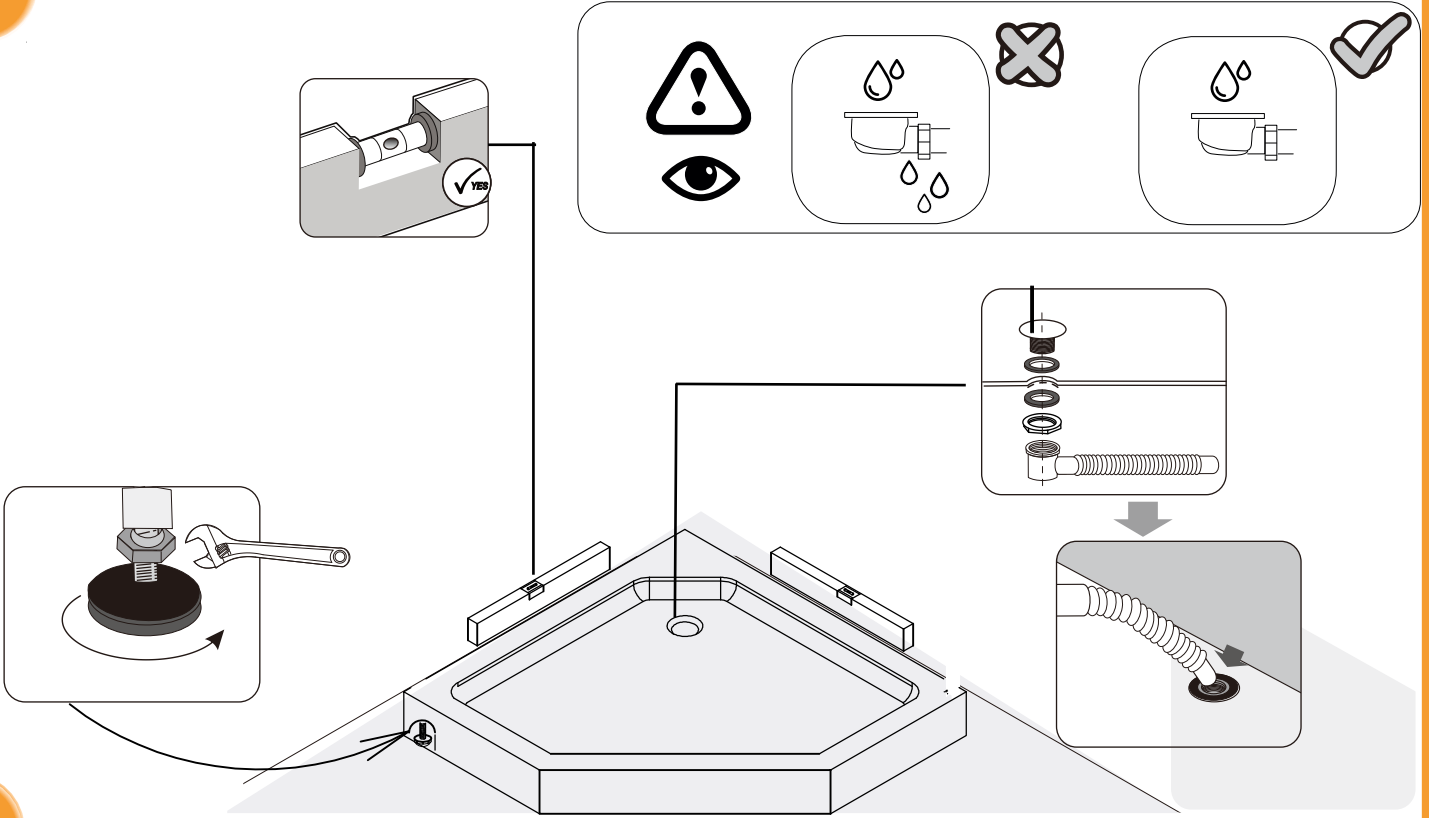
1000*1000*2000MM

No	Element	Quantity
(H)		1x
(I)		6x
(J)	 ST4*35	6x
(K)	 ST4*10	6x
(L)		2x
(M)		1x
(N)	 M8x18	4x
(O)	 M8x22	4x
(P)		8x
(Q)		6x
(R)	 2.8	1x
(S)		2x

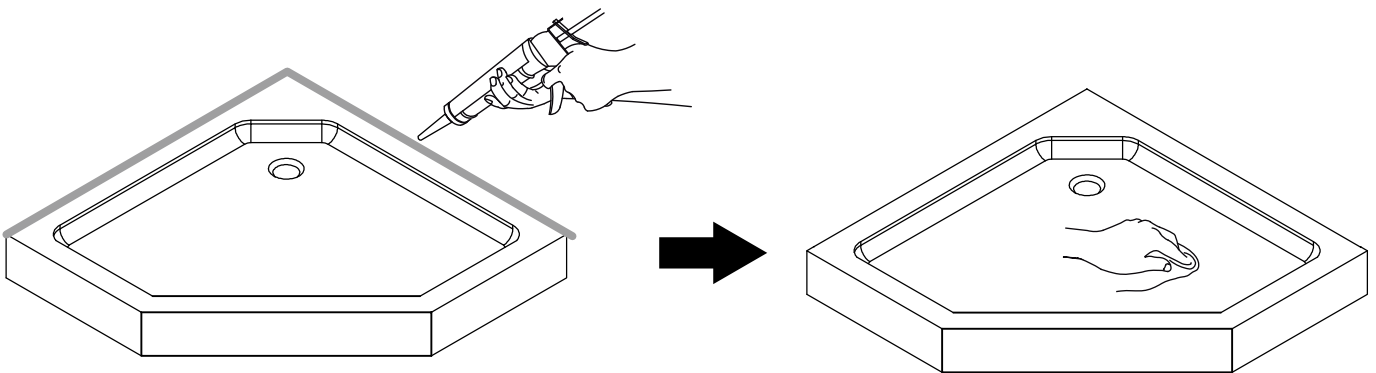




1



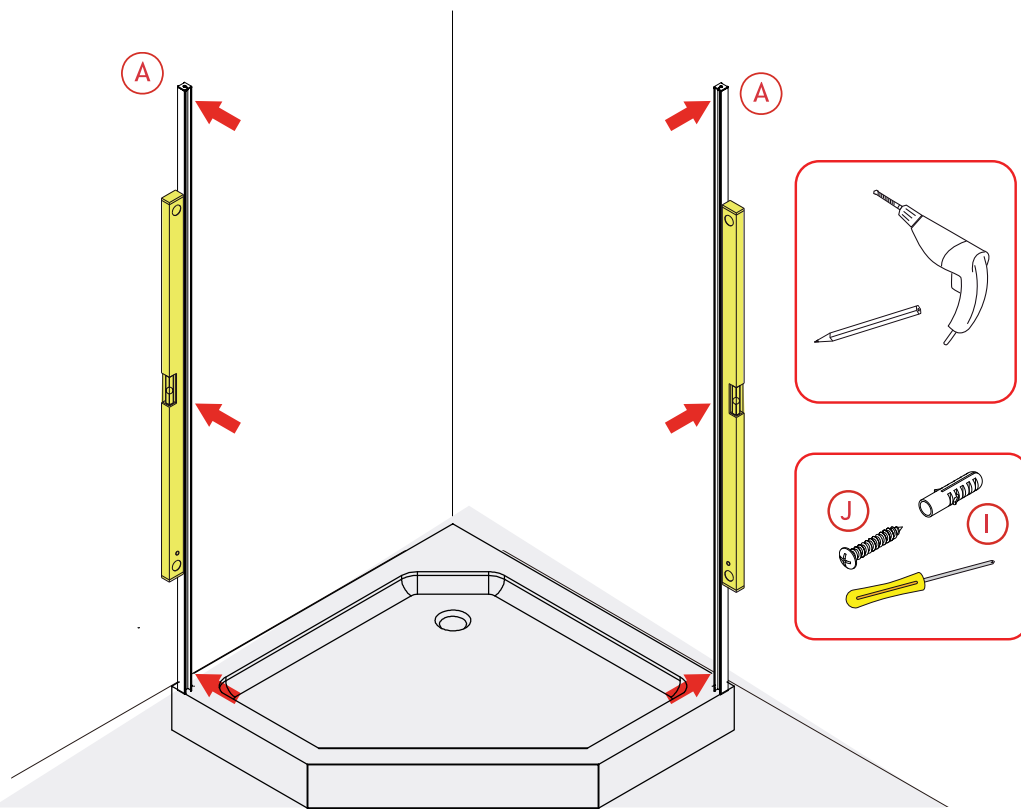
2



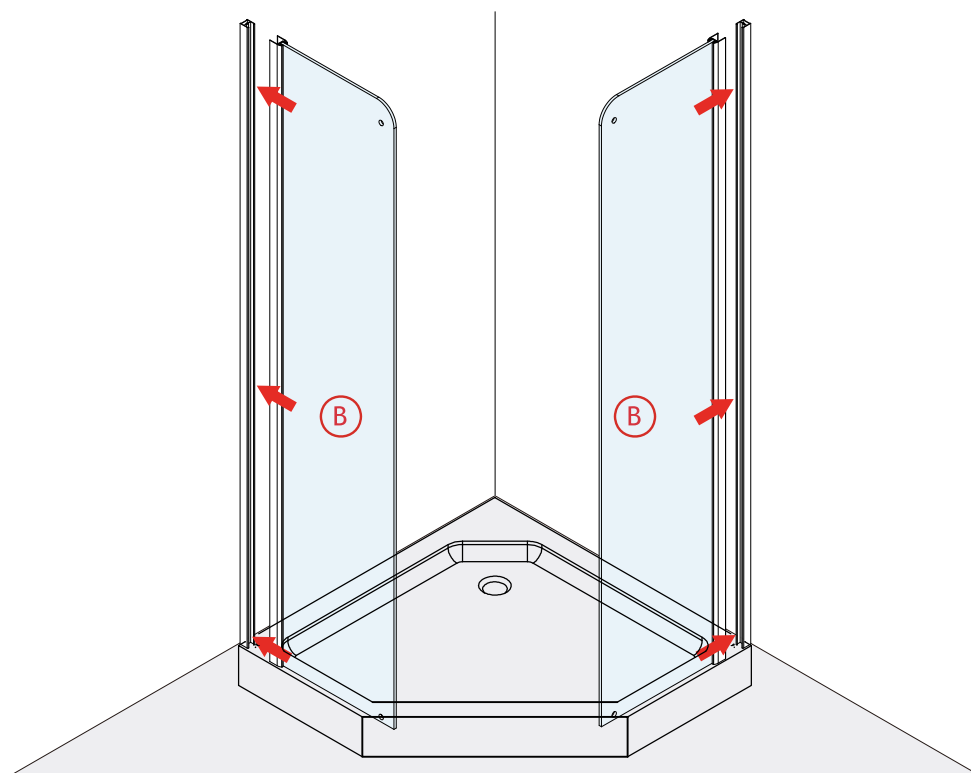
2



1

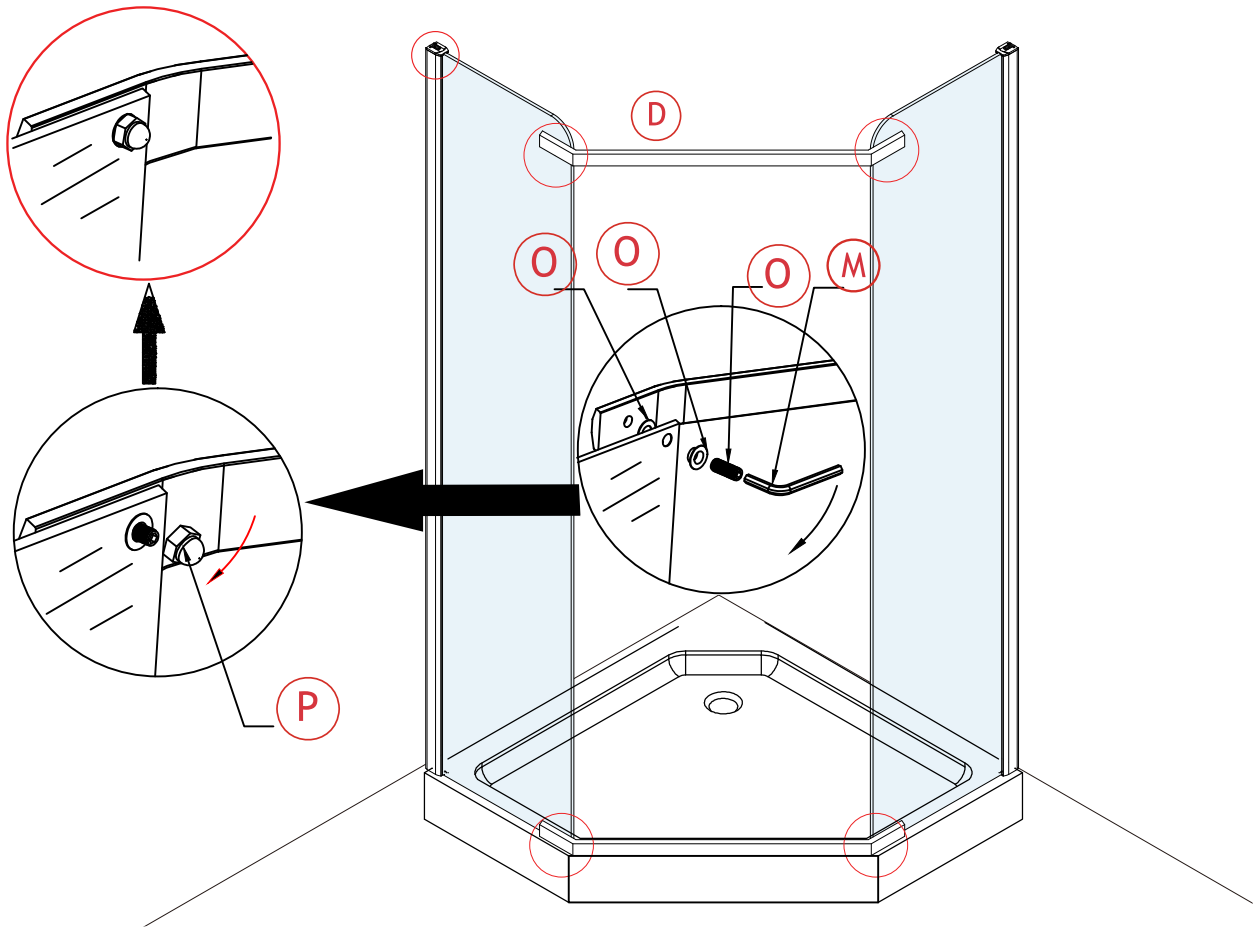


2

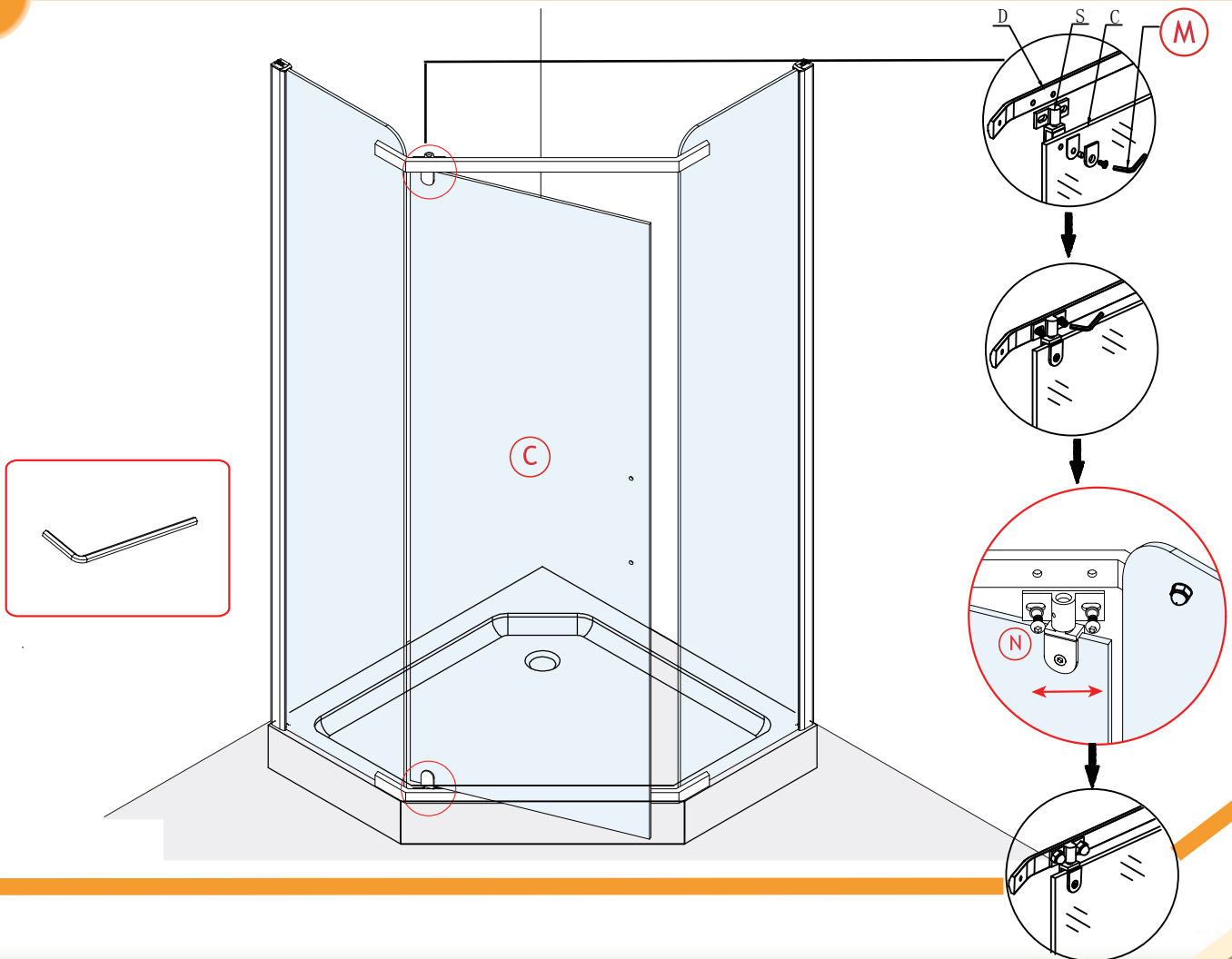


3

3



4



4

