

I-0505



NEW TRENDY Sp. z o.o.

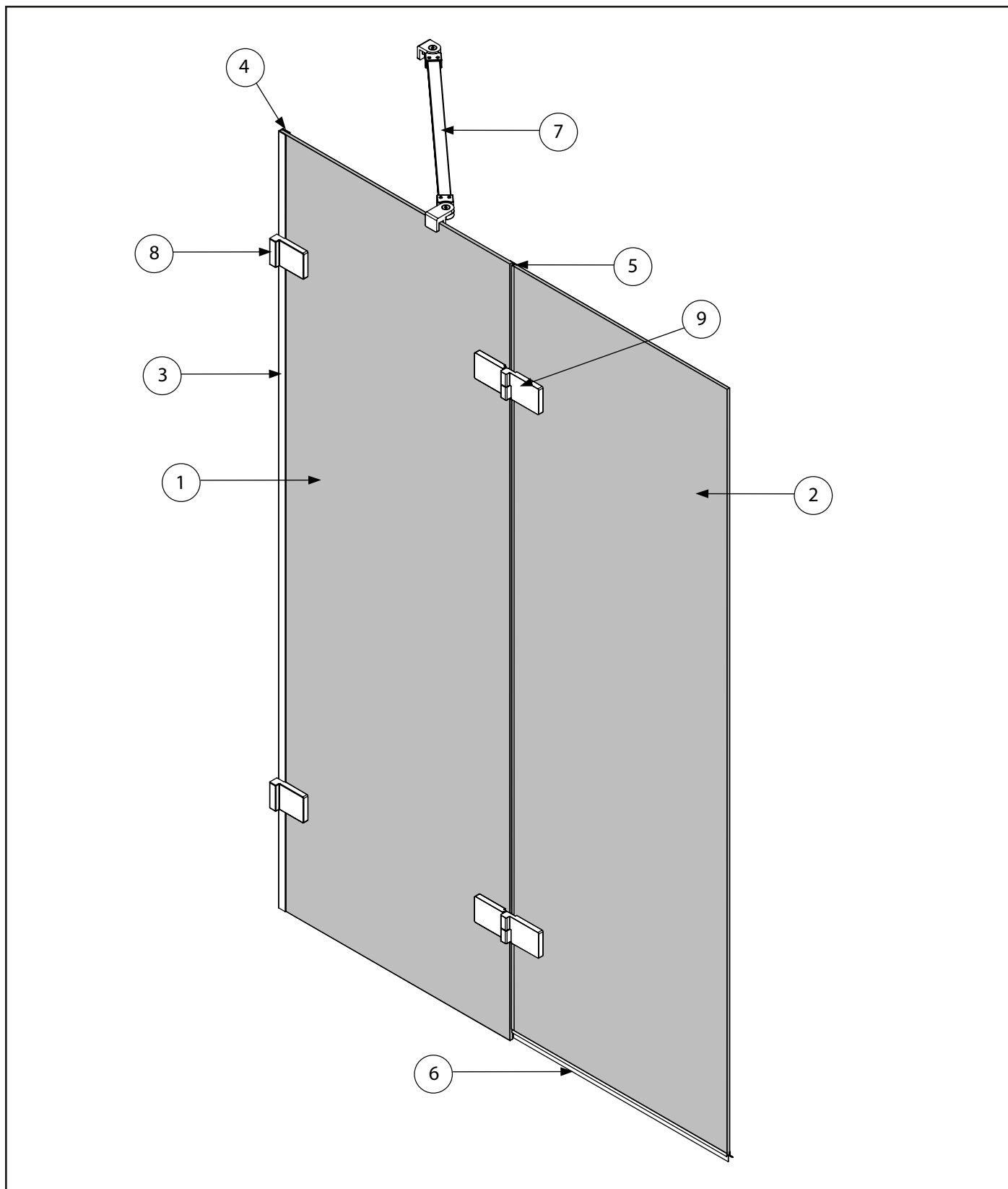
ul. Taszarowo 18

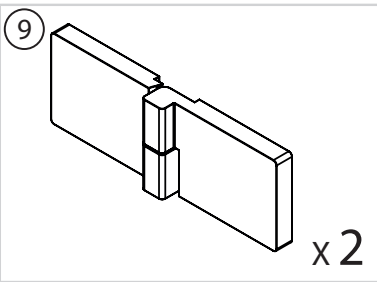
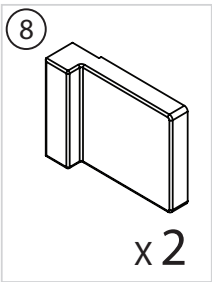
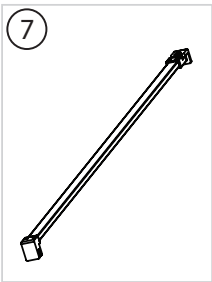
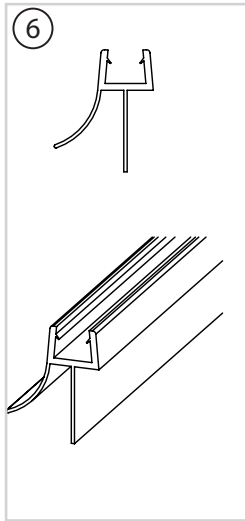
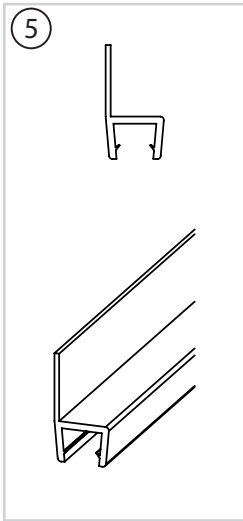
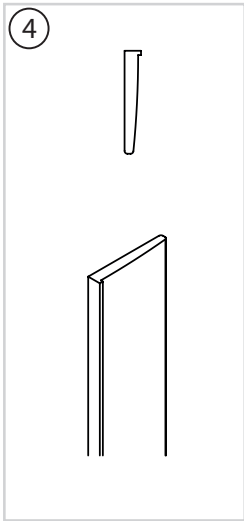
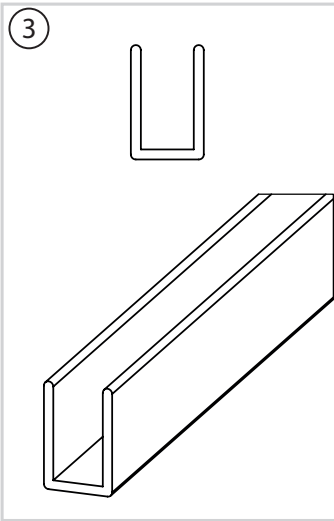
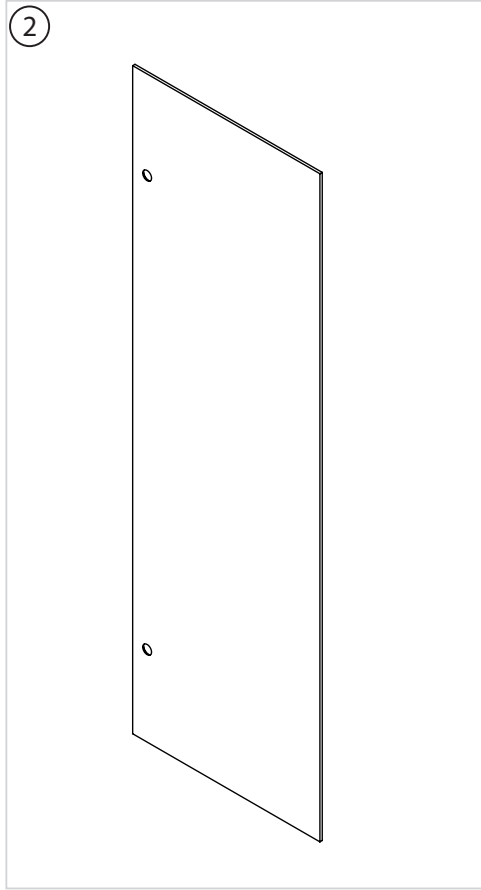
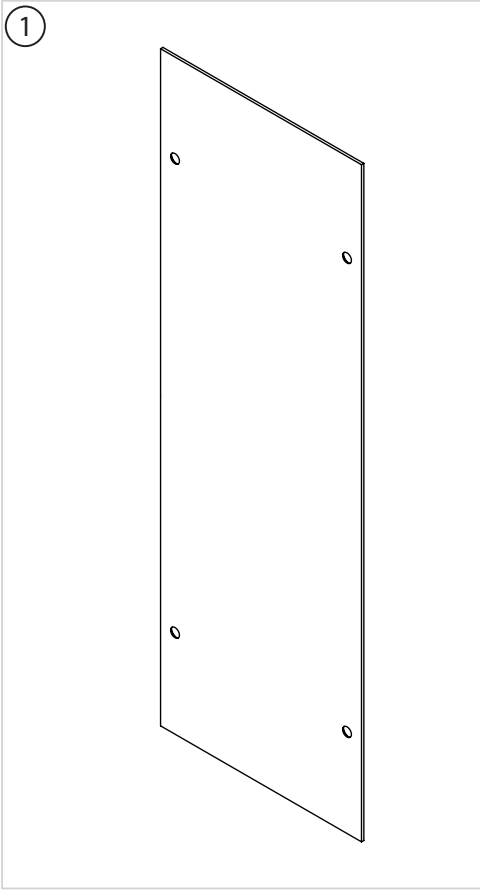
62-100 Wągrowiec

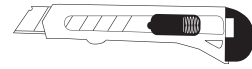
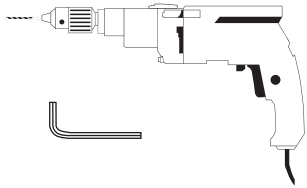
serwis@newtrendy.pl

tel/fax 67 262 12 66

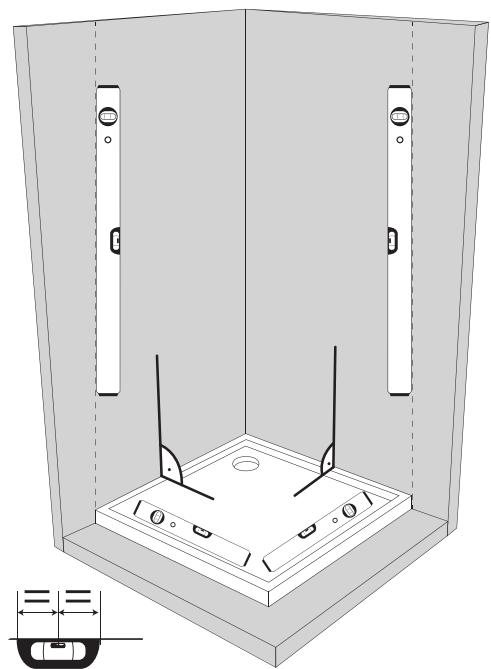
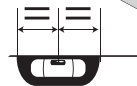
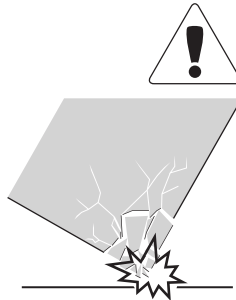
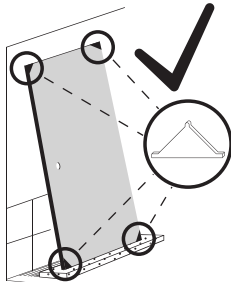
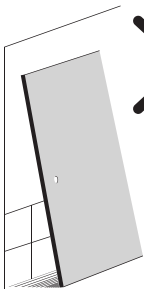
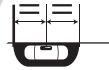
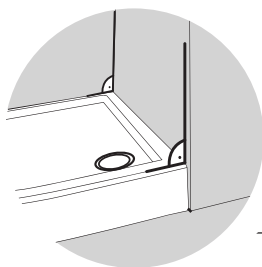
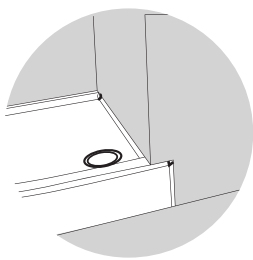
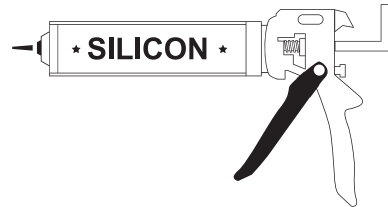
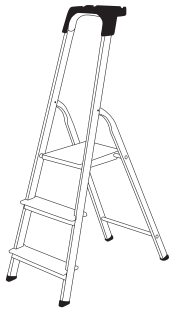
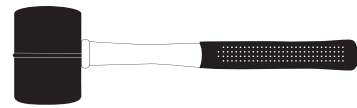
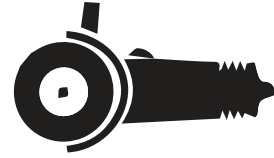
AVEXA

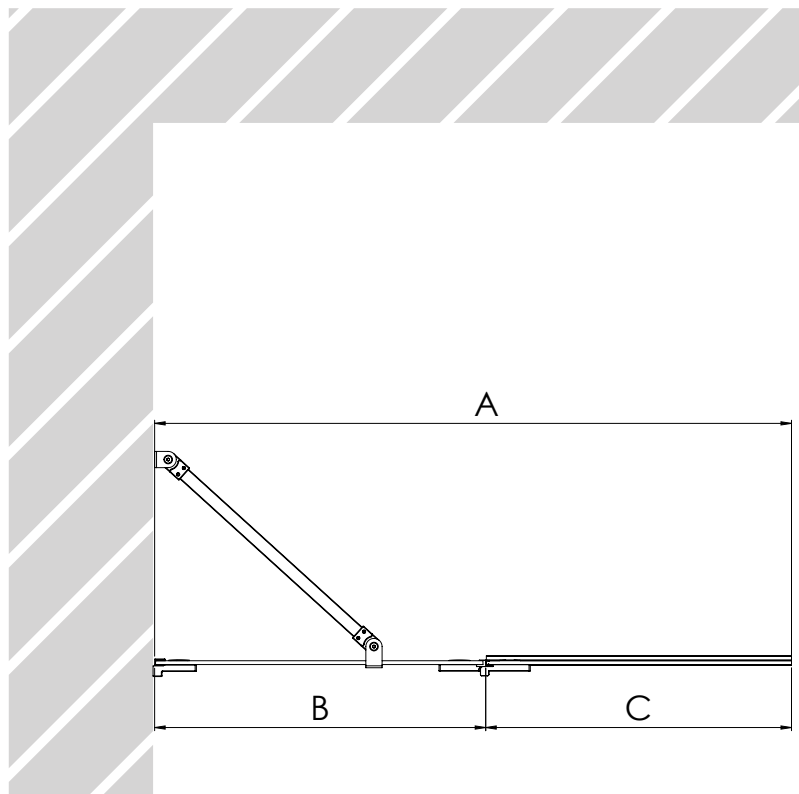




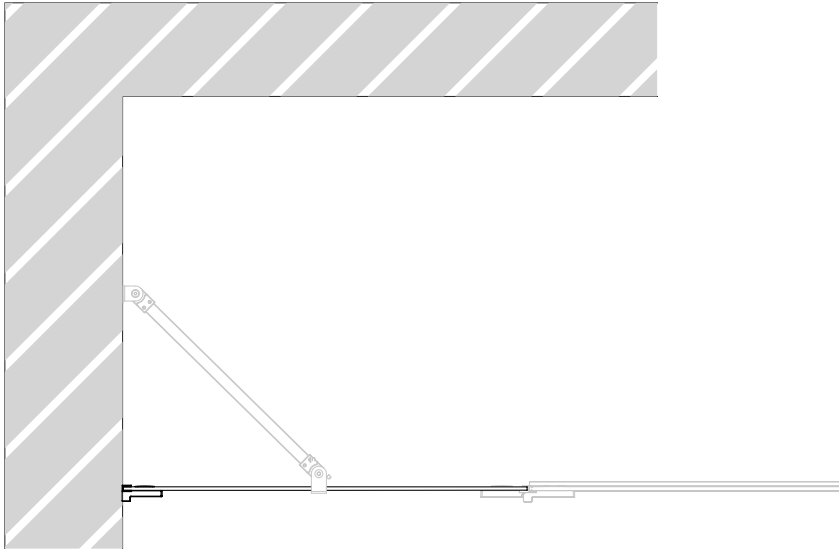


∅ 6

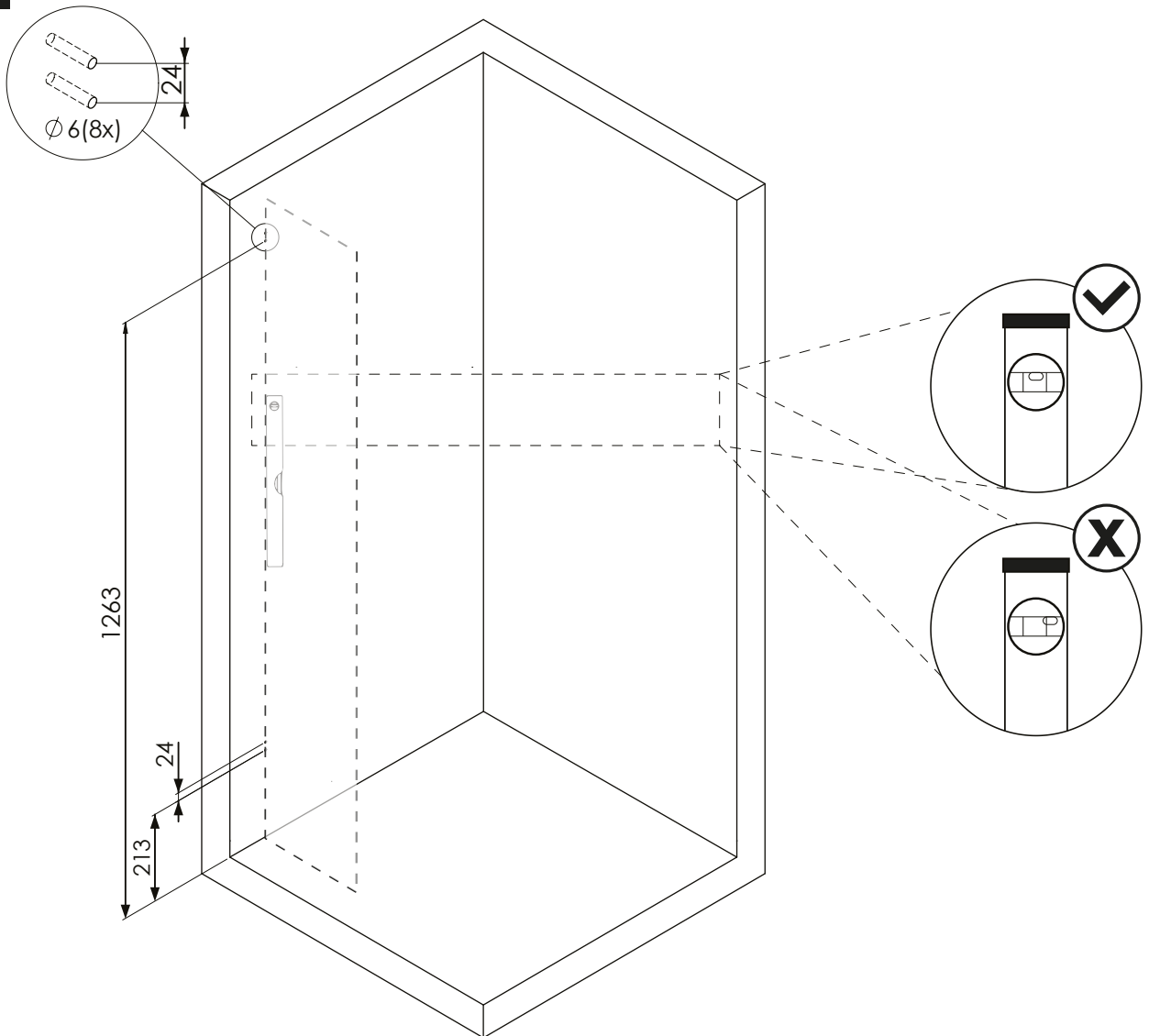




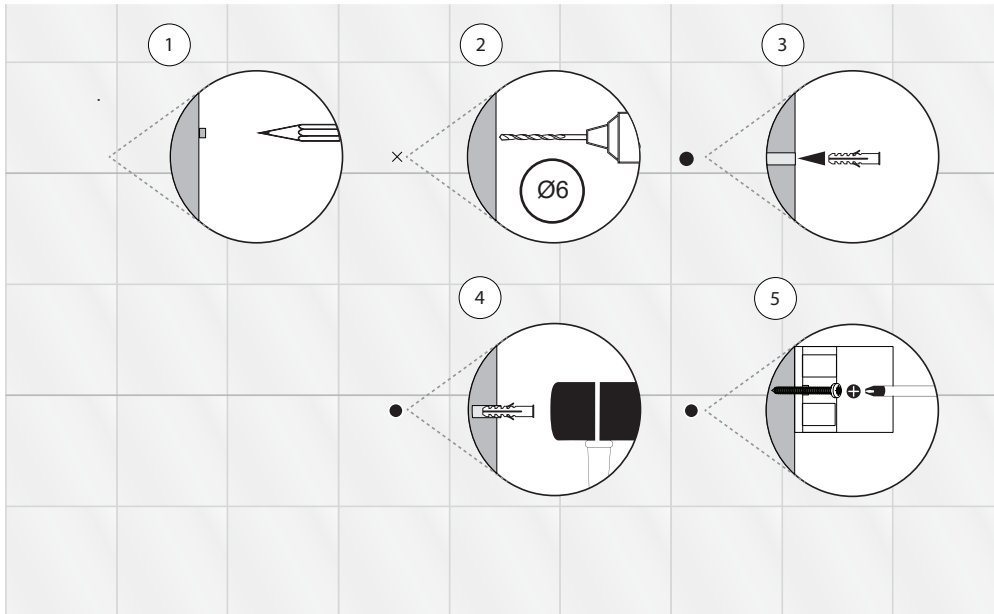
SYMBOL			WYMIAR	STRONA MONTAŻU	A	B	C	H
CHROM	BLACK	GOLD						
EXK-1954	EXK-1982	EXK-2010	100x150	L	100-101	52	48	150
EXK-1955	EXK-1983	EXK-2011	100x150	P	100-101	52	48	150
EXK-1956	EXK-1984	EXK-2012	110x150	L	110-111	57	53	150
EXK-1957	EXK-1985	EXK-2013	110x150	P	110-111	57	53	150
EXK-1958	EXK-1986	EXK-2014	120x150	L	120-121	62	58	150
EXK-1959	EXK-1987	EXK-2015	120x150	P	120-121	62	58	150
EXK-1960	EXK-1988	EXK-2016	130x150	L	130-131	67	63	150
EXK-1961	EXK-1989	EXK-2017	130x150	P	130-131	67	63	150
EXK-1962	EXK-1990	EXK-2018	140x150	L	140-141	72	68	150
EXK-1963	EXK-1991	EXK-2019	140x150	P	140-141	72	68	150



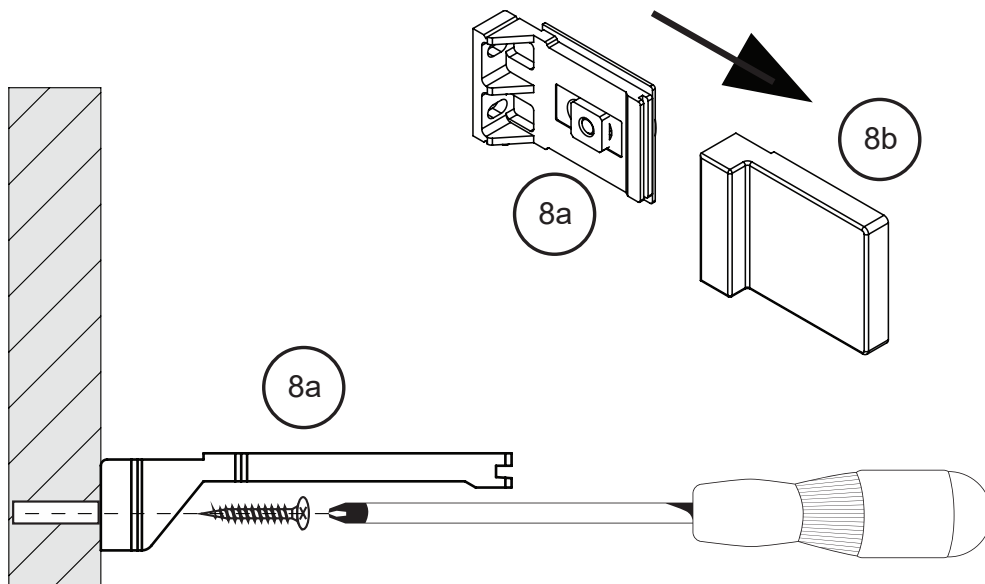
# 1.1



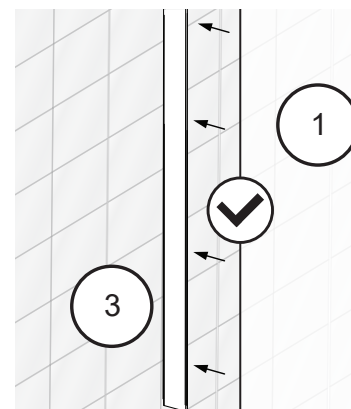
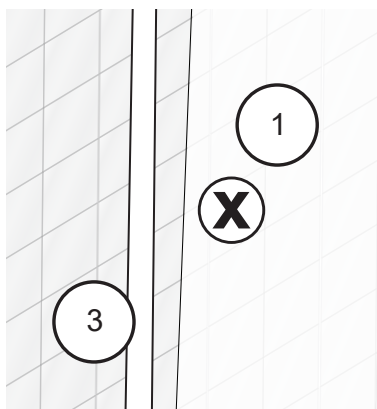
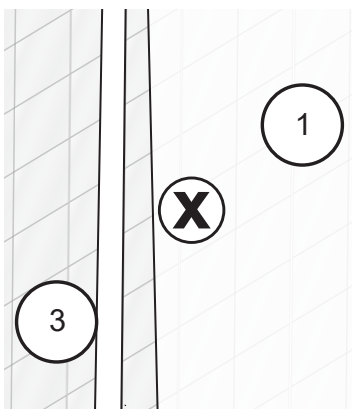
# 1.2

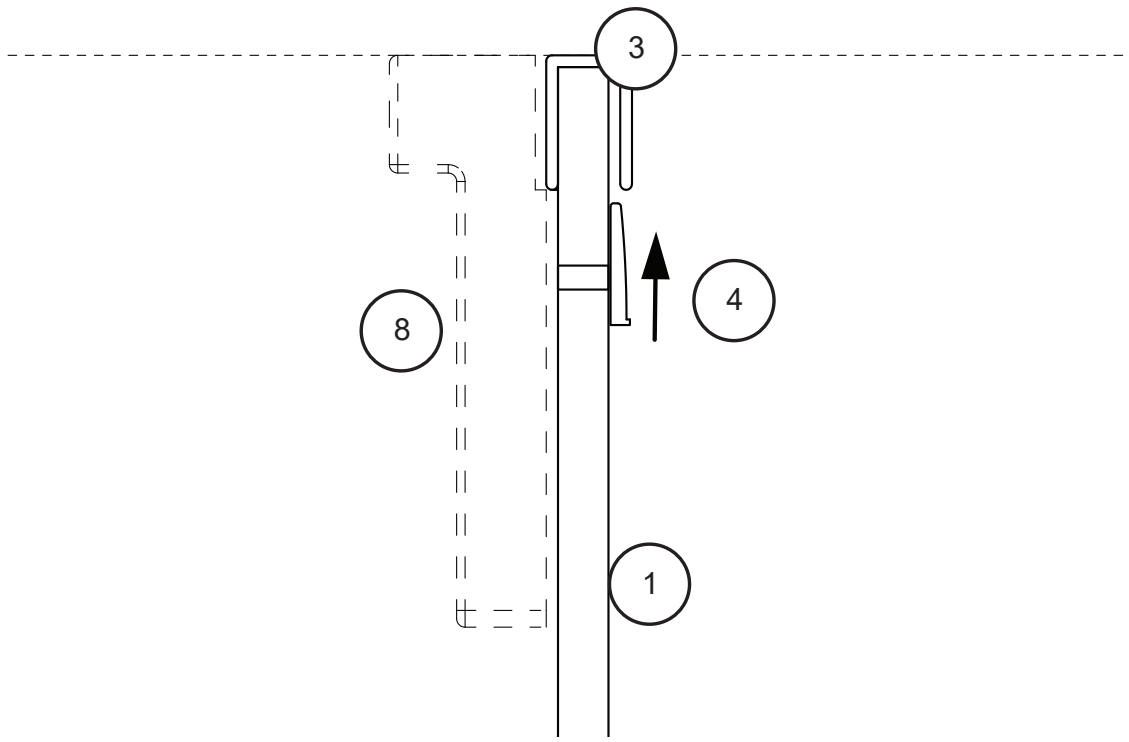


# 1.3

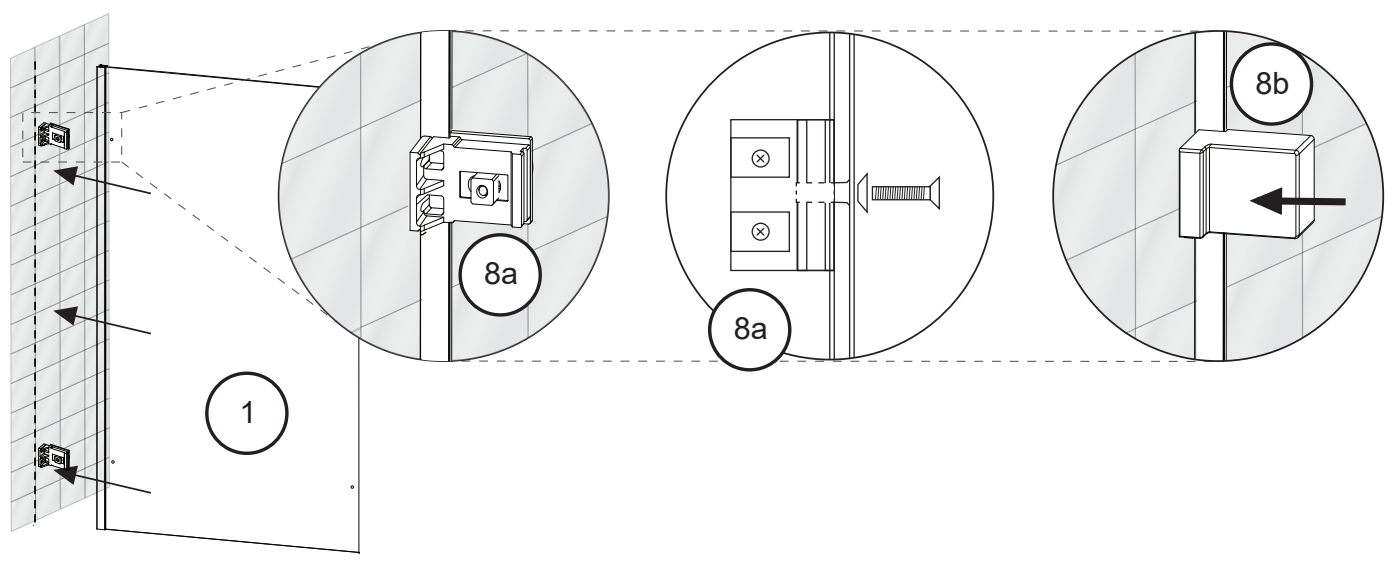


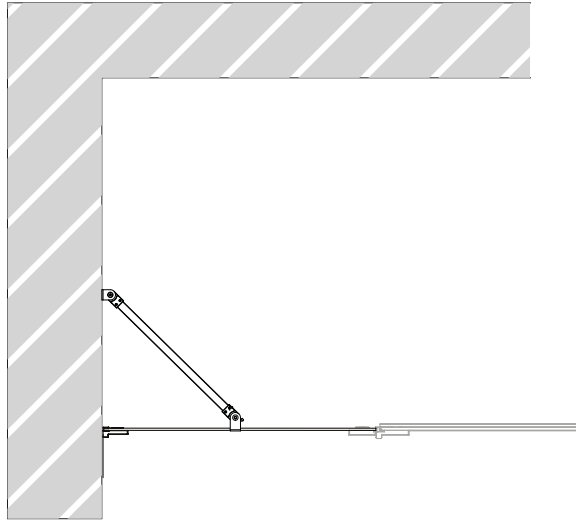
# 1.4



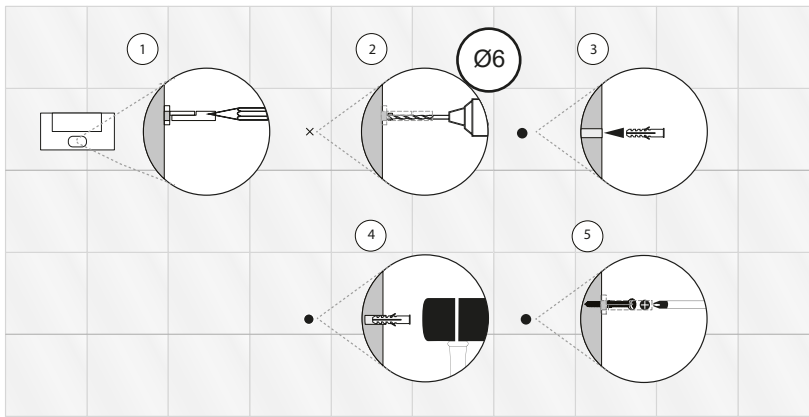


# 1.5

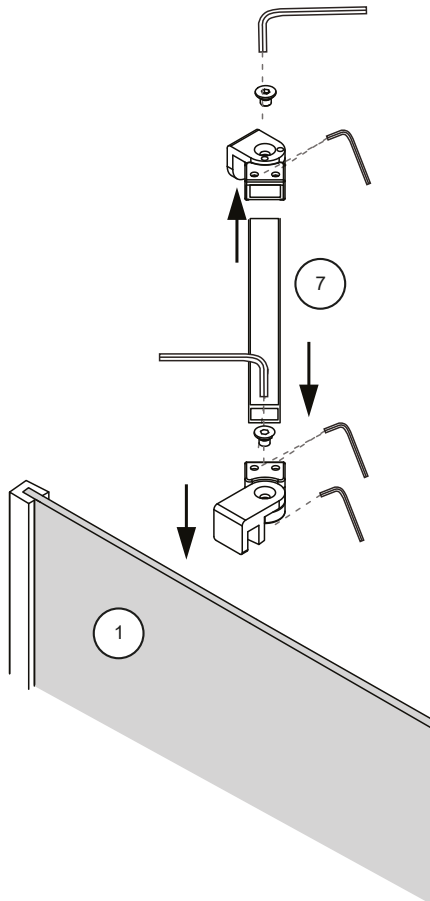




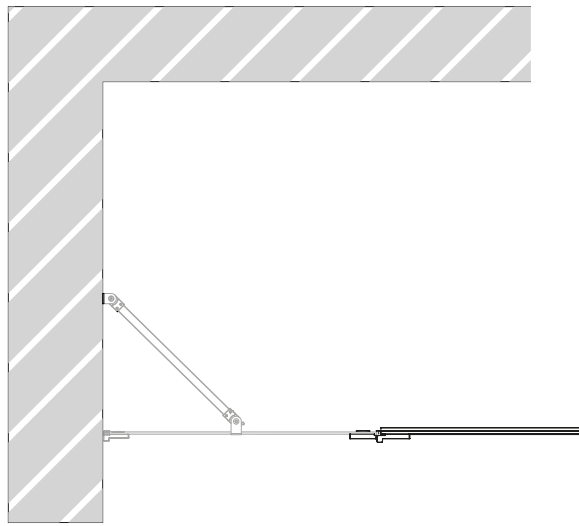
## 2.1



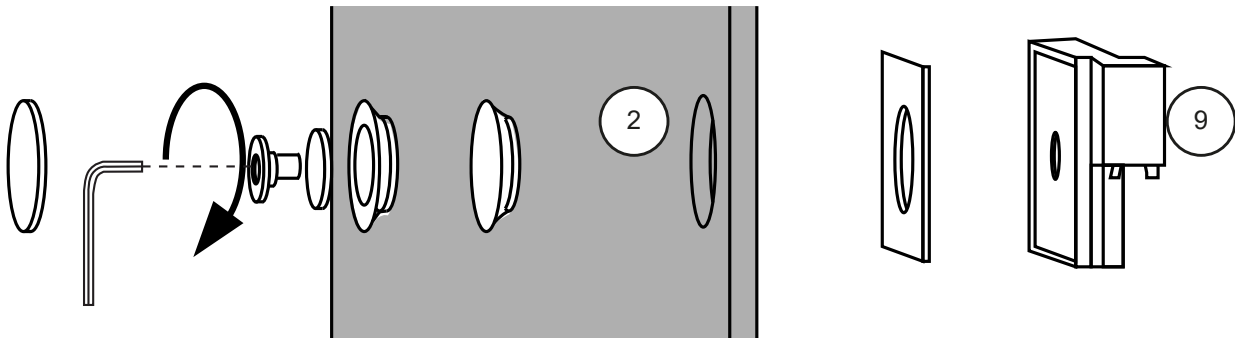
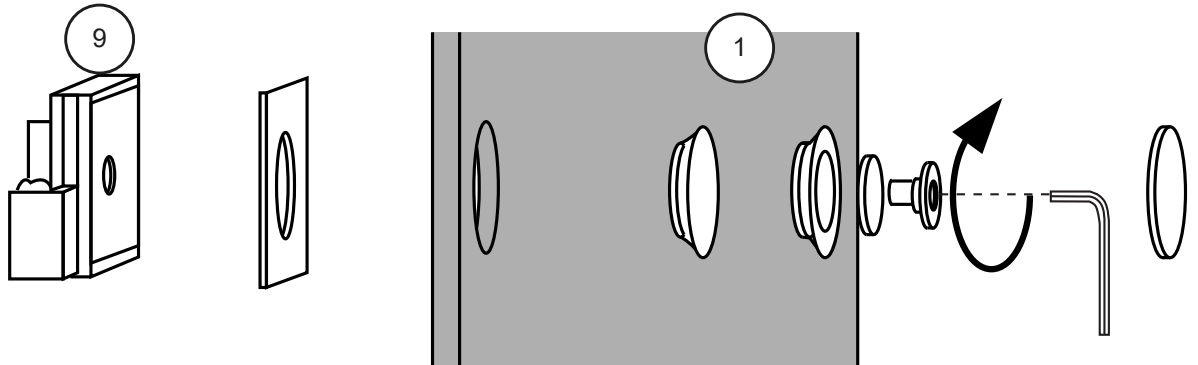
## 2.2



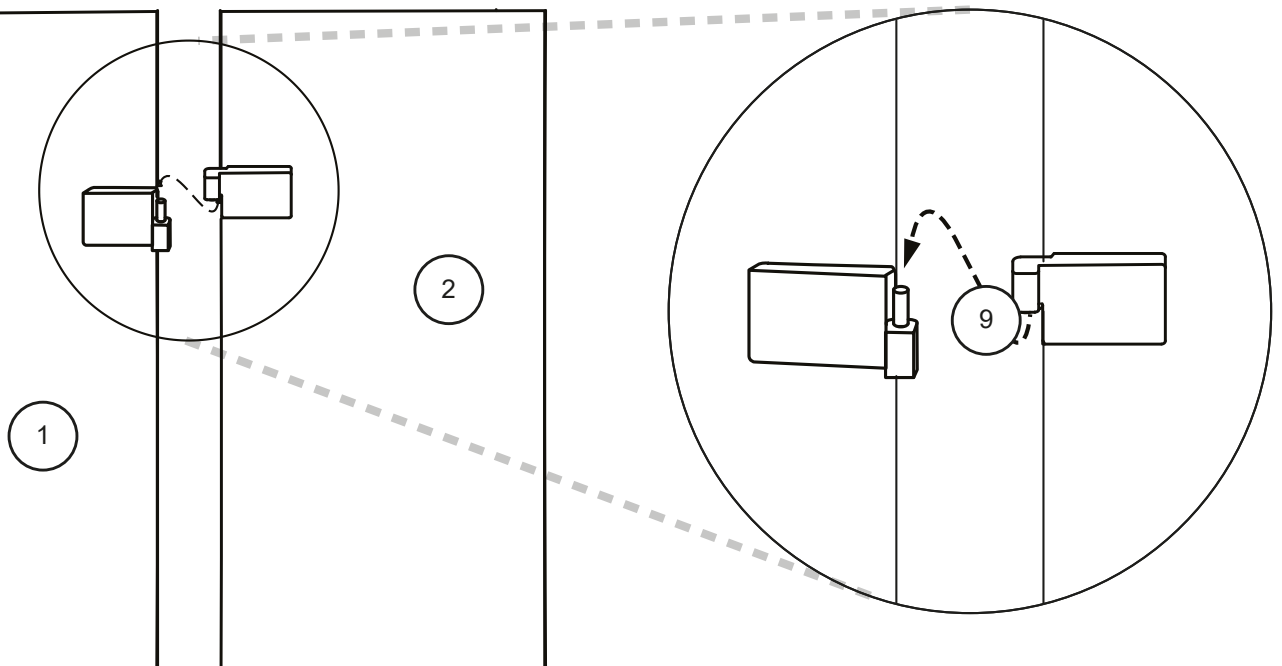




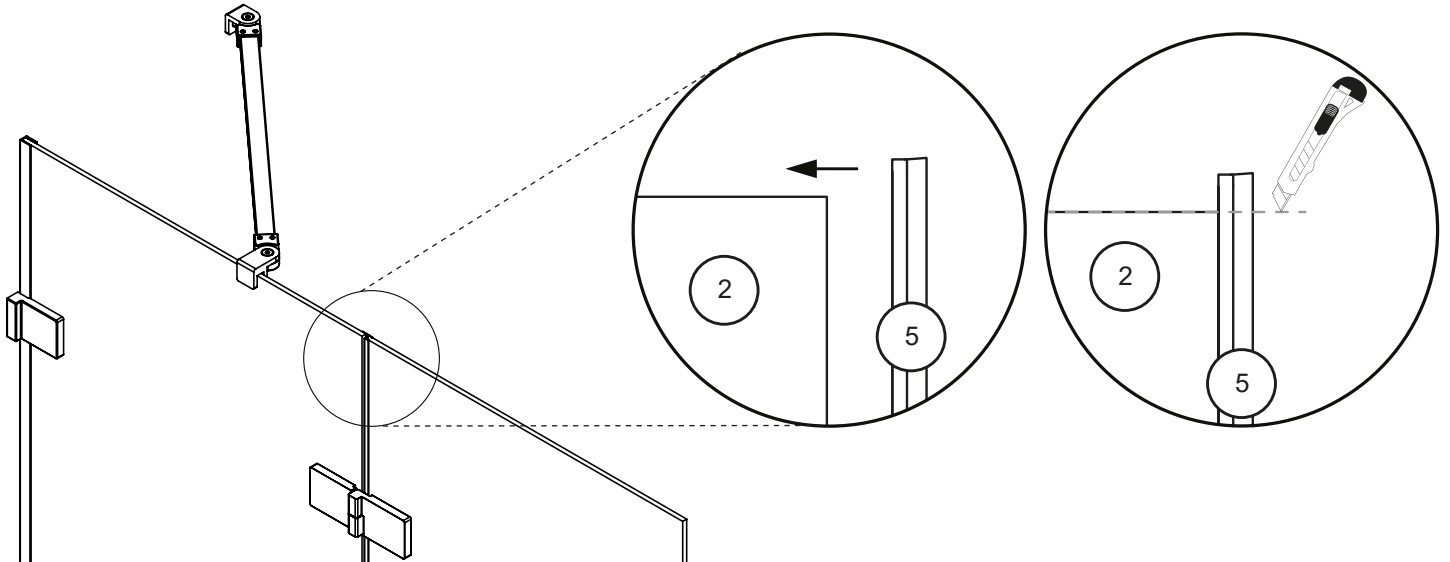
### 3.1



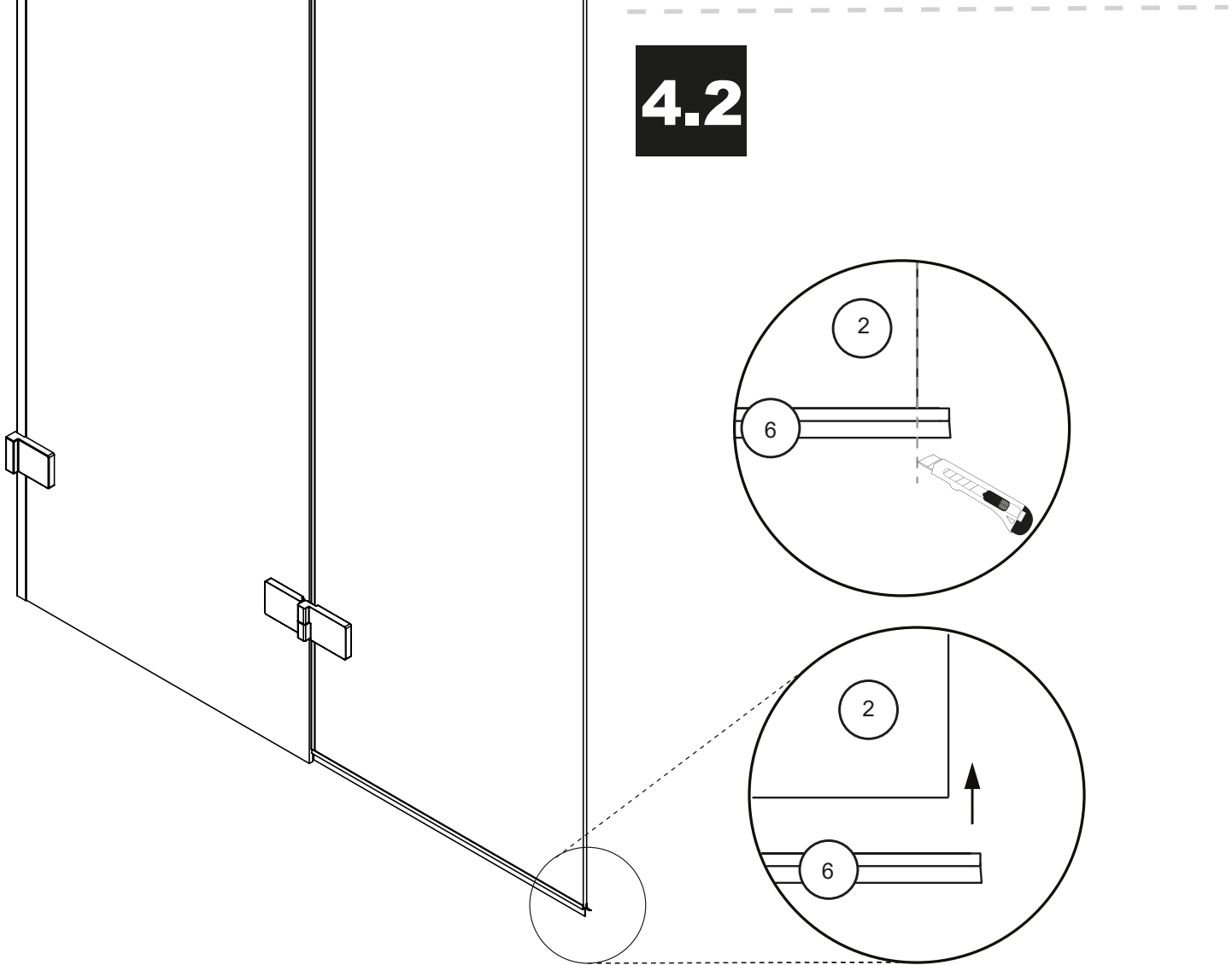
### 3.2



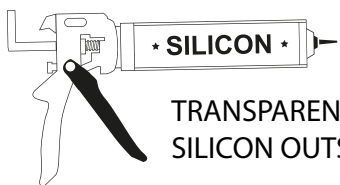
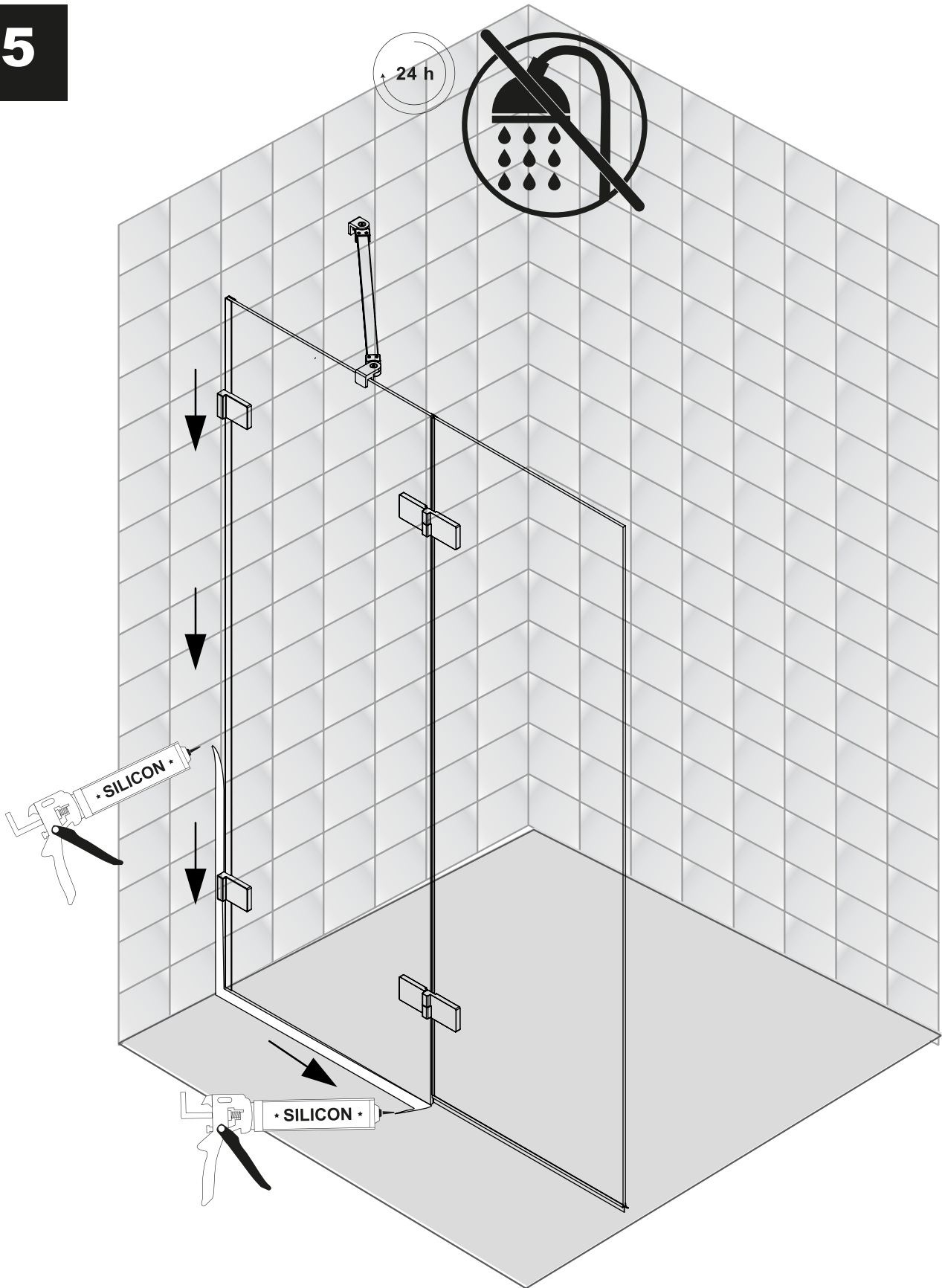
# 4.1



# 4.2



5



TRANSPARENT  
SILICON OUTSIDE