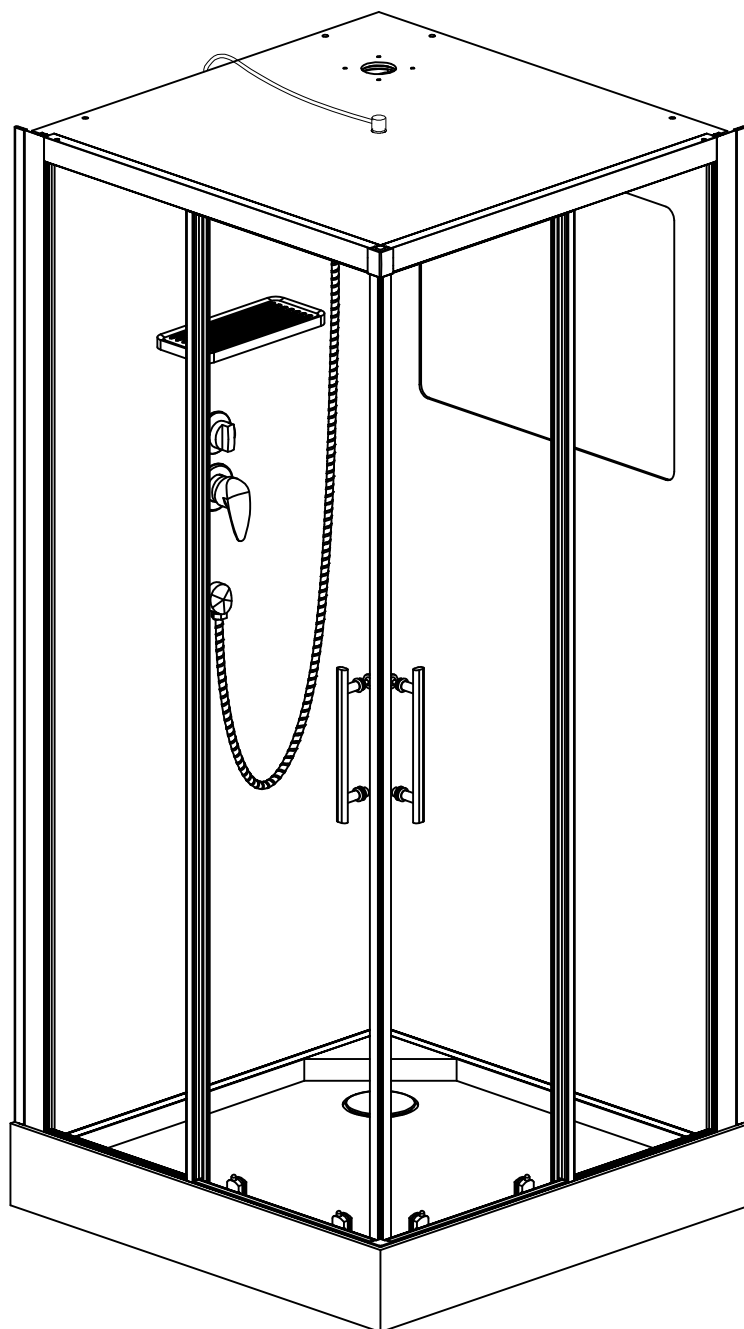
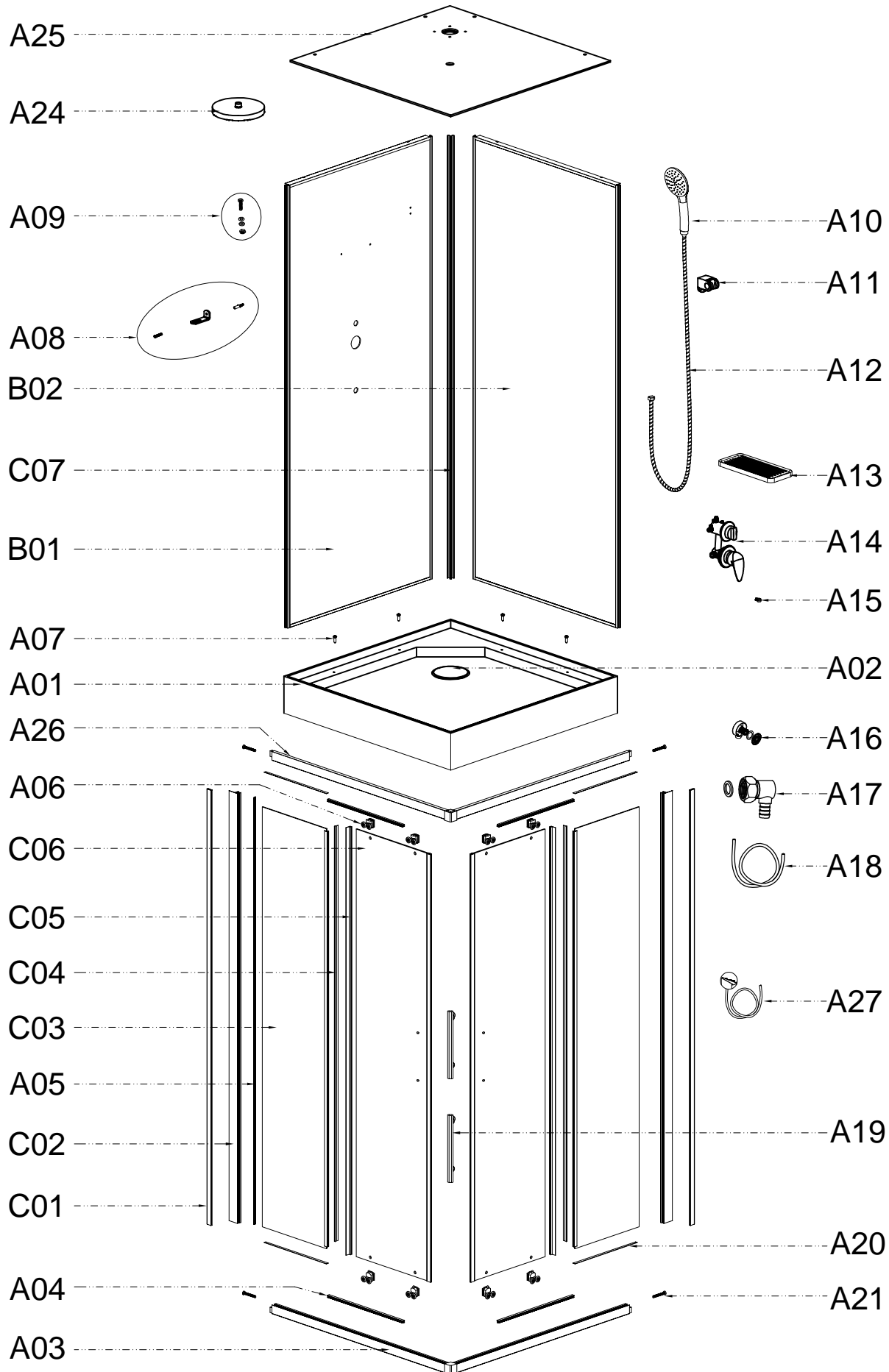
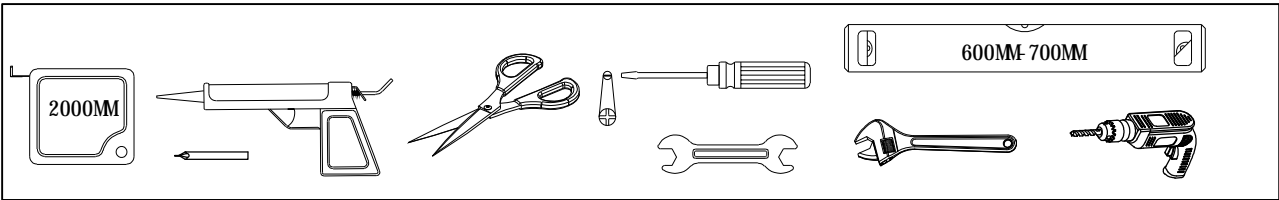


ESB-80CKR
ESB-90CKR
ESB-100CKR





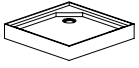


A01 X1	A02 X1	A03 X1	A04 X4	A05 H=6.8MM L=5.5M X1	A06 UP DOWN X4	A07 X4
A08 ST3.9X30 X2	A09 M4X20 X4	A10 X1	A11 MX20 X1	A12 L=1.5M X1	A13 X1	A14 X1
A15 X4	A16 X1	A17 X2	A18 X1	A19 X2	A20 X4	A21 M5X30 X4
A22 Φ10 X1	A23 X1	A24 X1	A25 X1	A26 X1	A27 H=2.8MM L=1.9M X1	

B01 X1	B02 X1
---------------	---------------

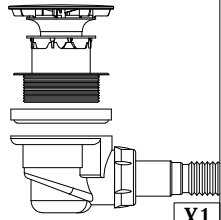
C01 X2	C02 X2	C03 X2	C04 X2	C05 X2	C06 X1	C07 X1
---------------	---------------	---------------	---------------	---------------	---------------	---------------

A01



X1

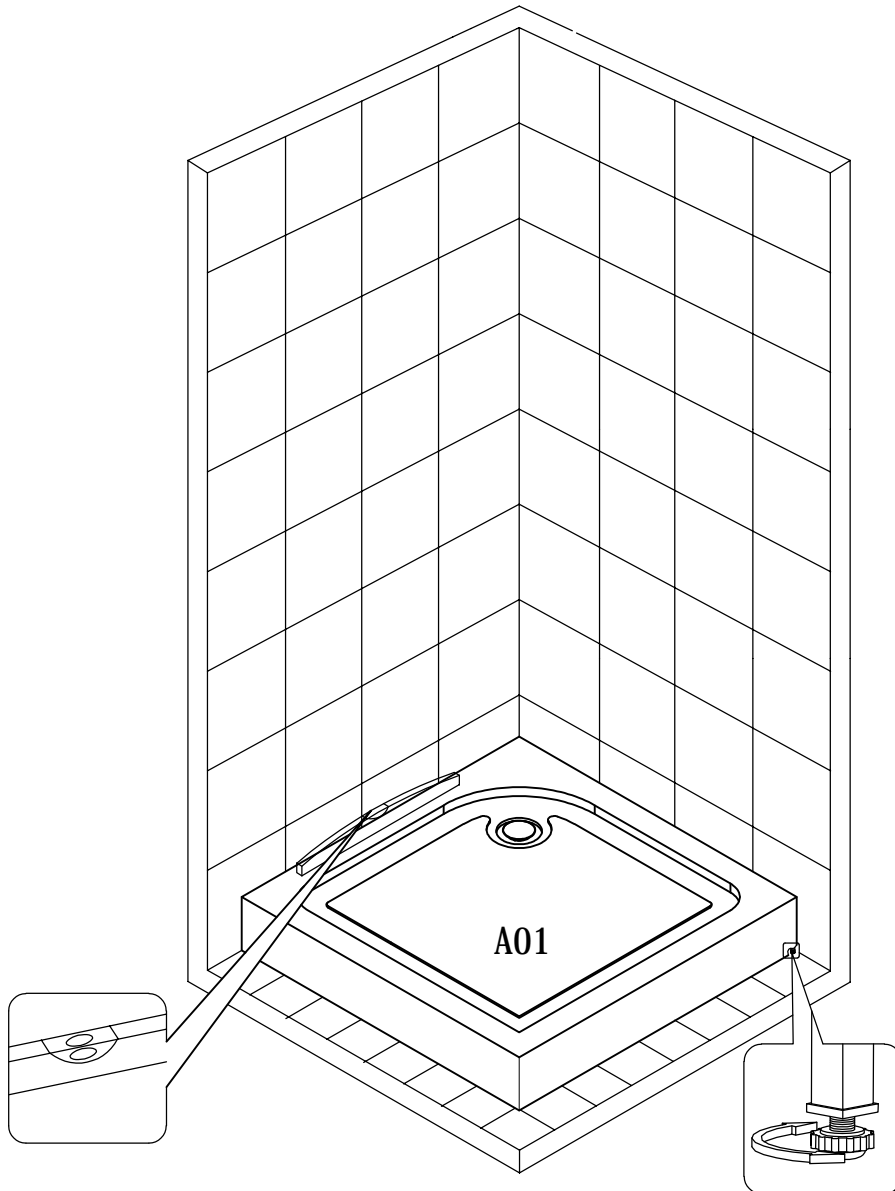
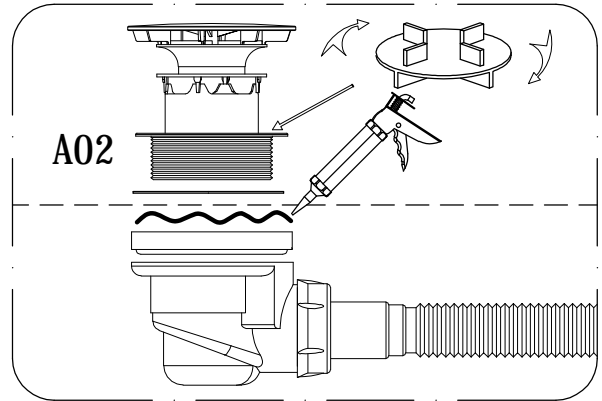
A02

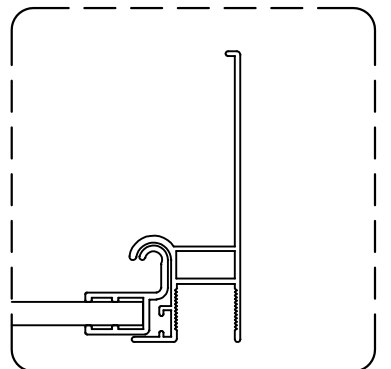
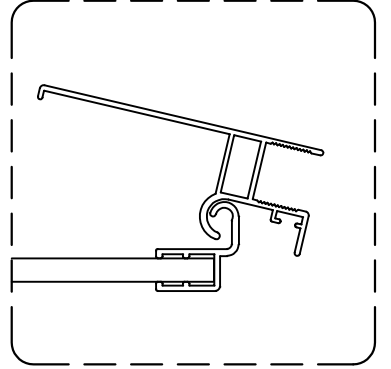
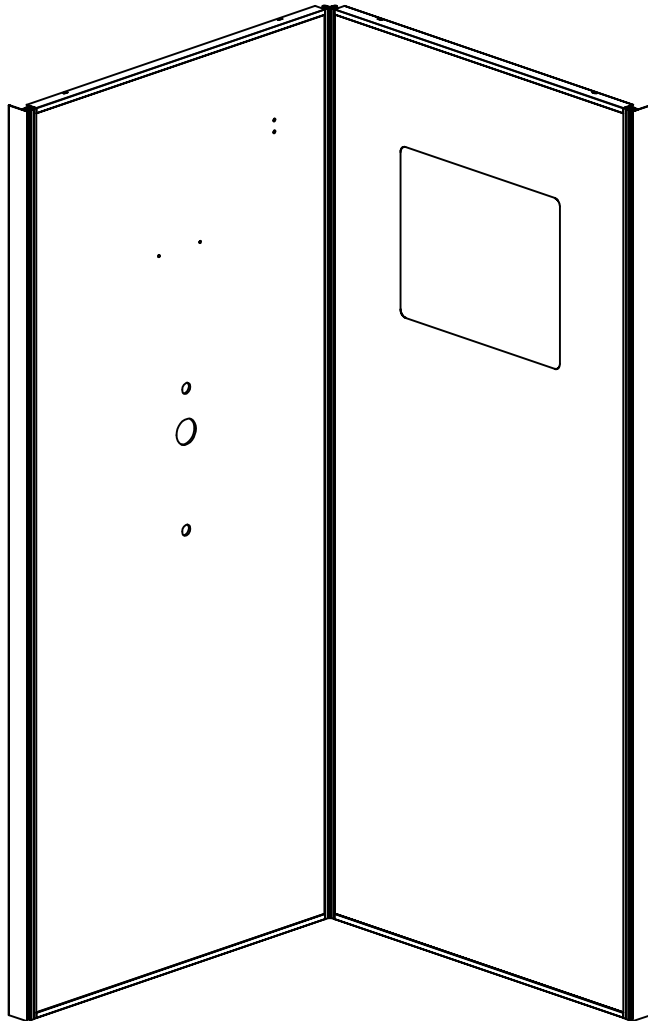
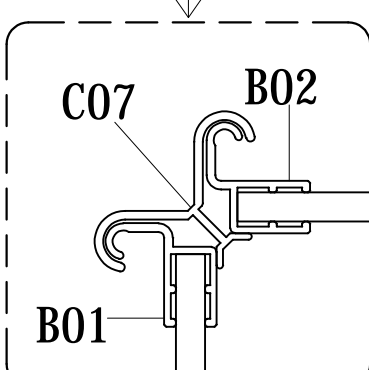
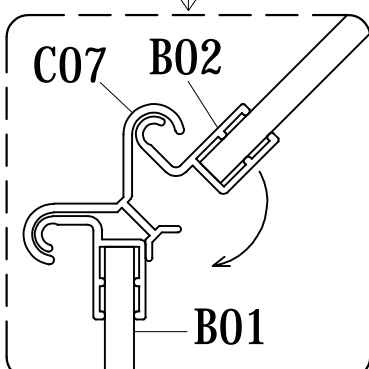
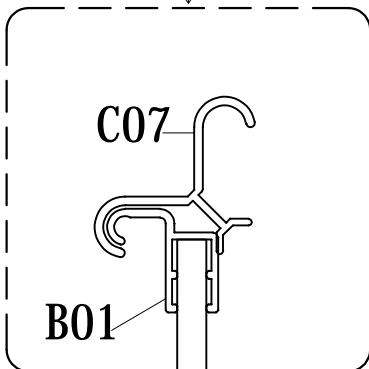
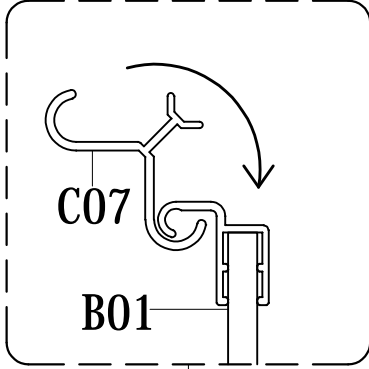
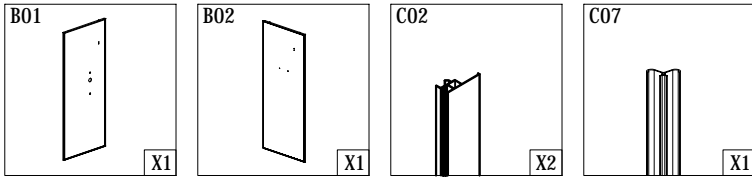


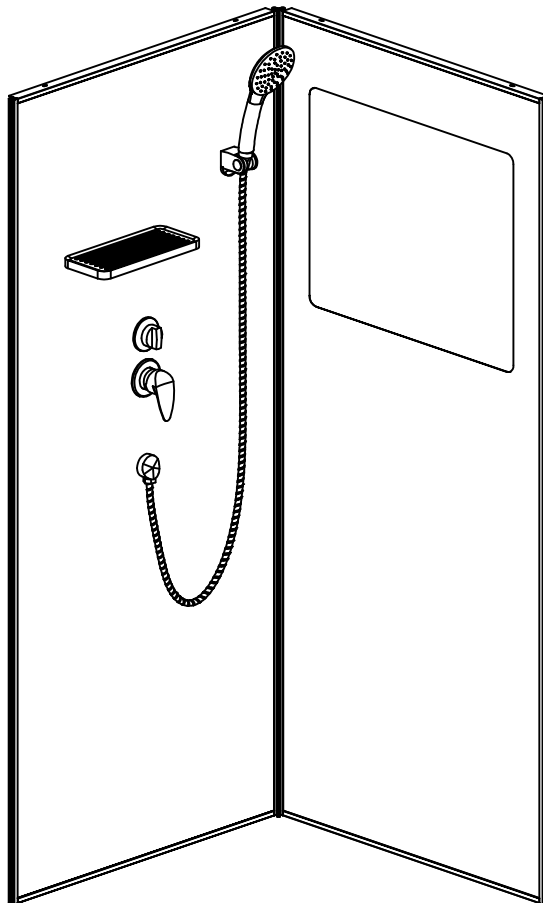
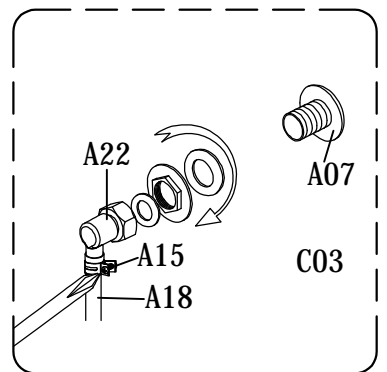
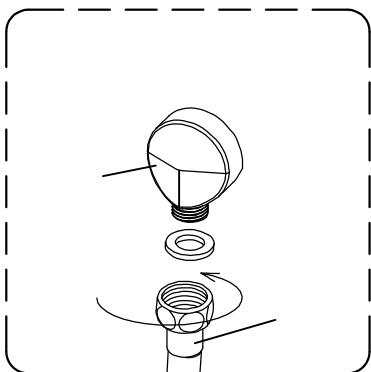
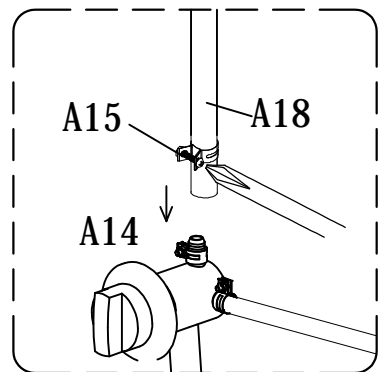
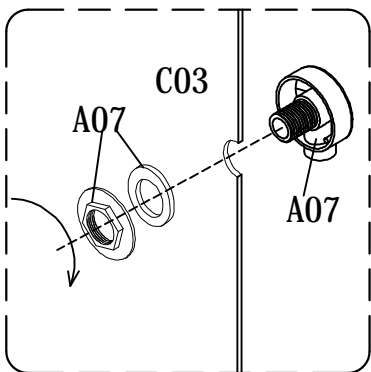
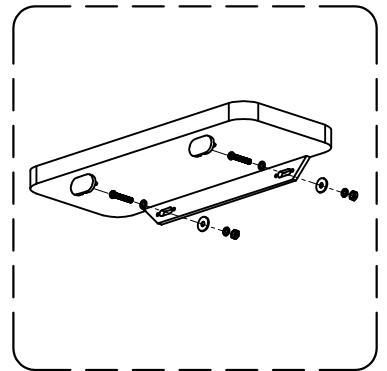
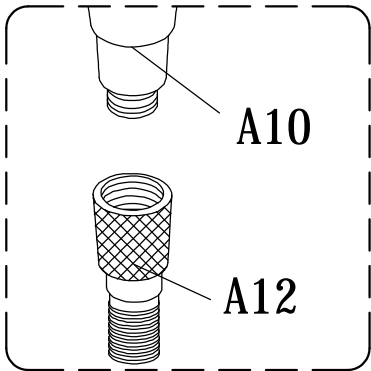
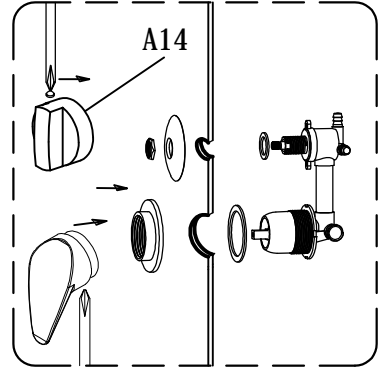
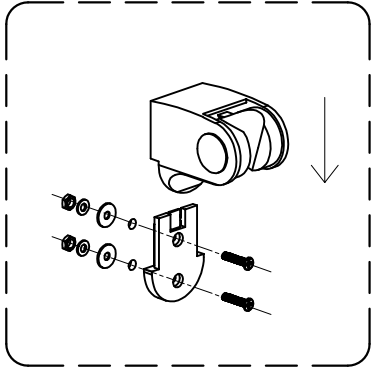
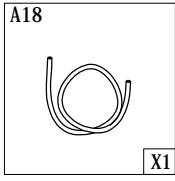
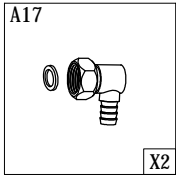
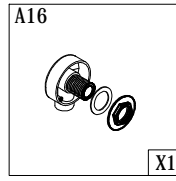
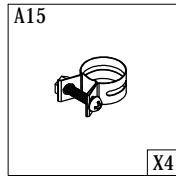
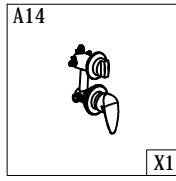
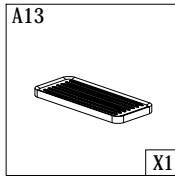
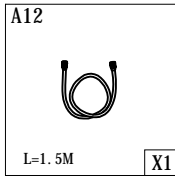
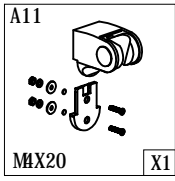
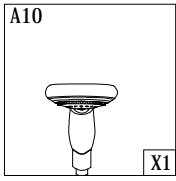
X1

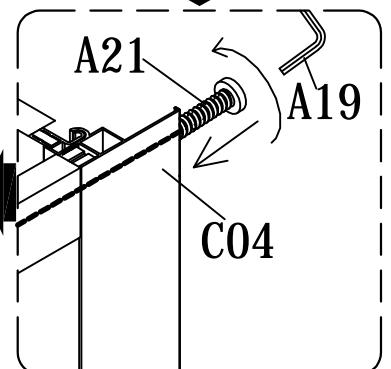
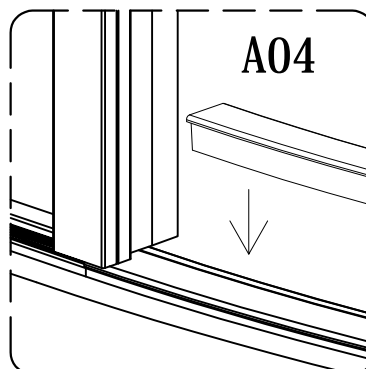
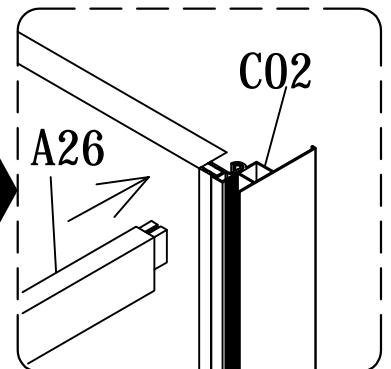
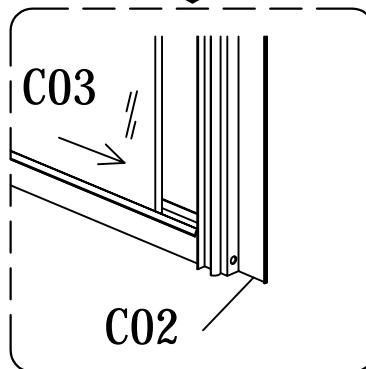
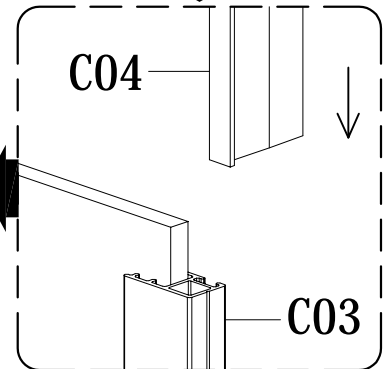
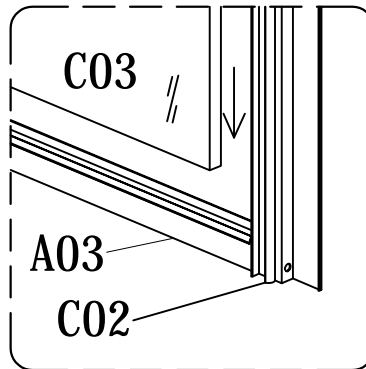
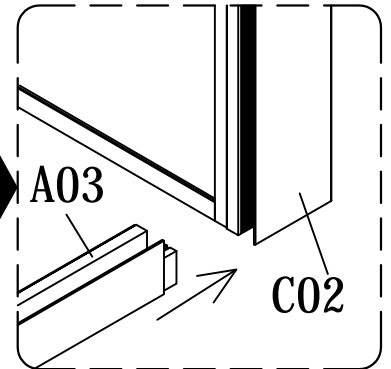
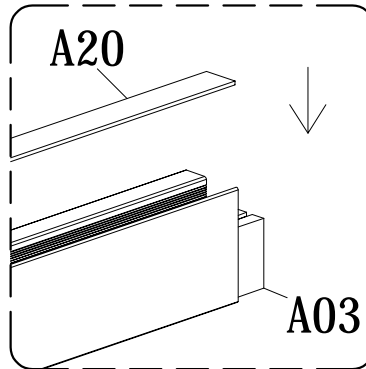
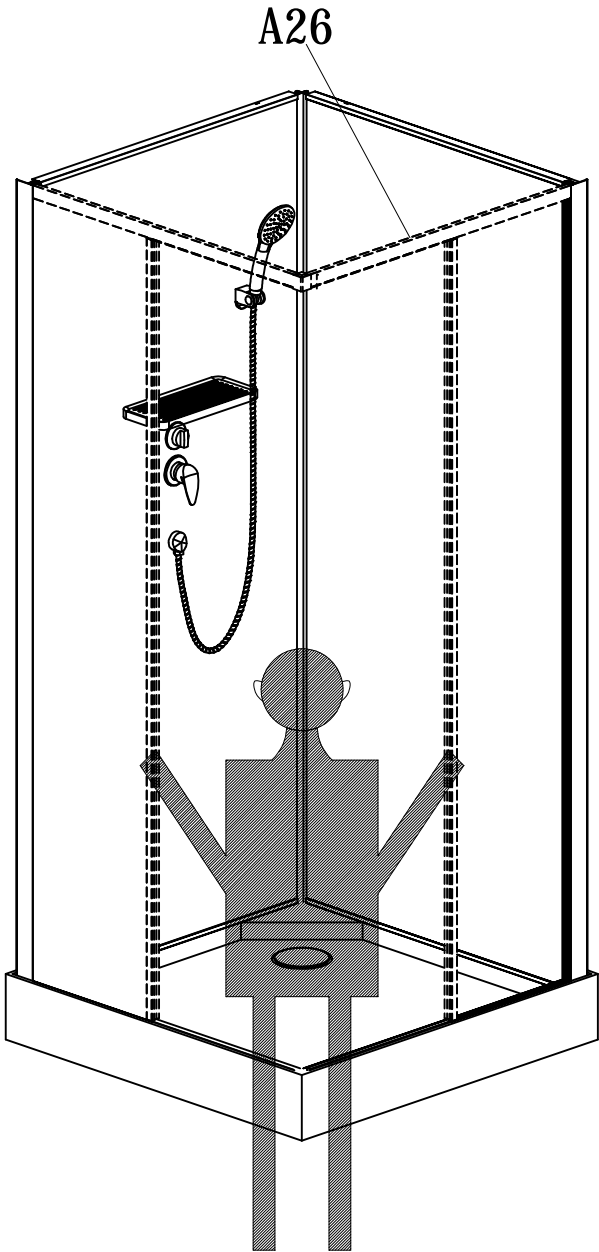
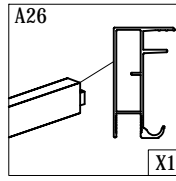
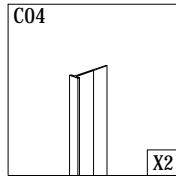
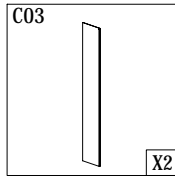
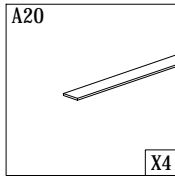
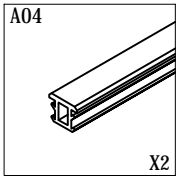
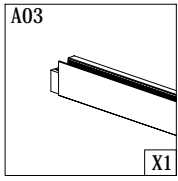


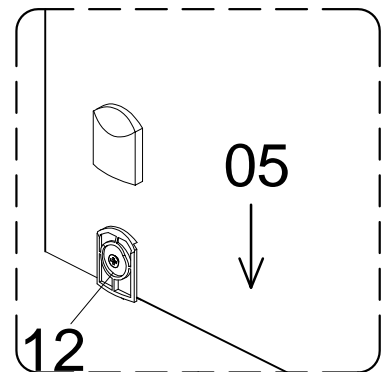
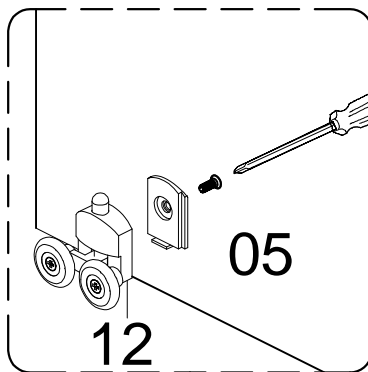
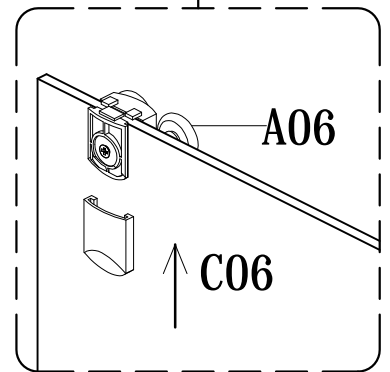
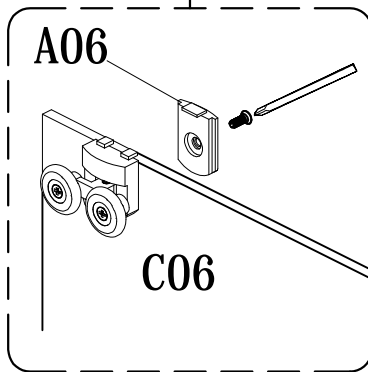
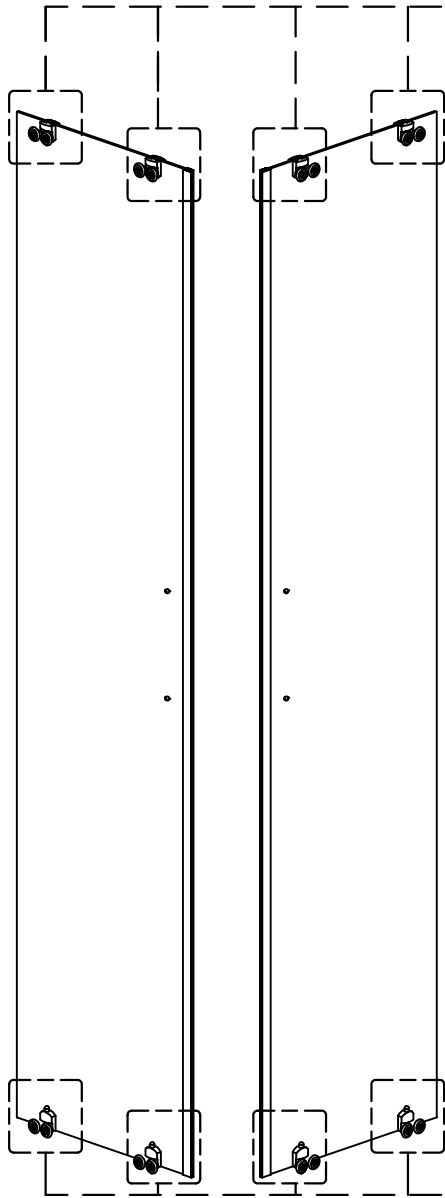
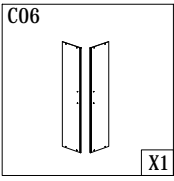
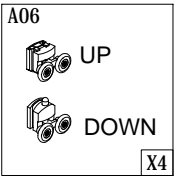
2000MM





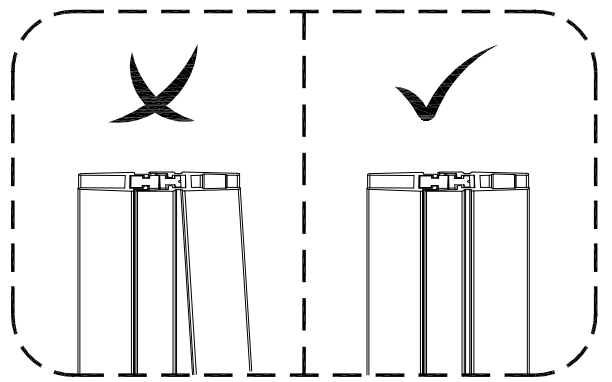
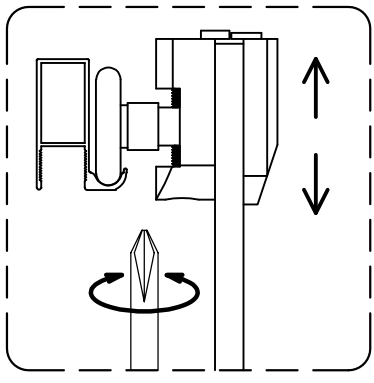
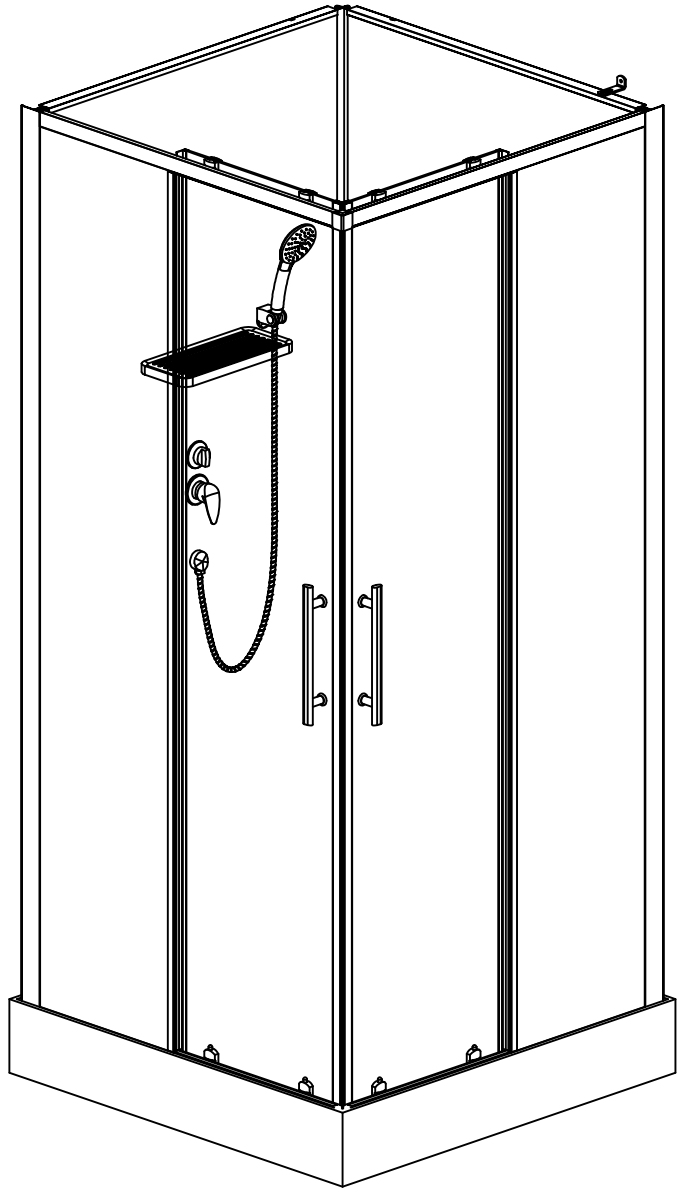
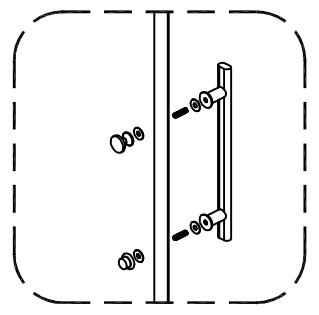
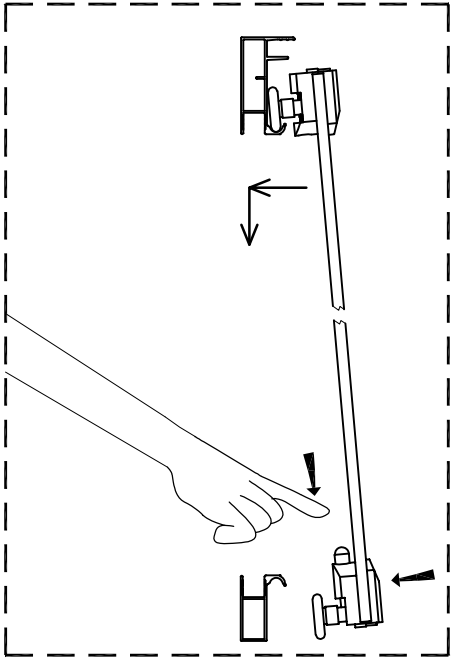
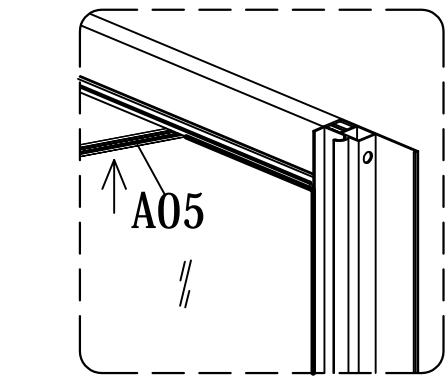


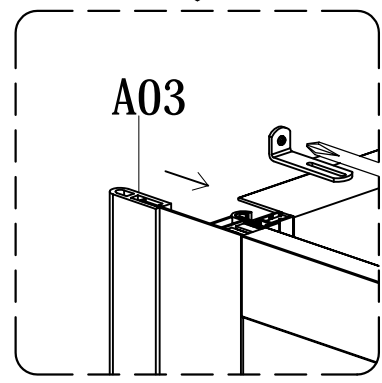
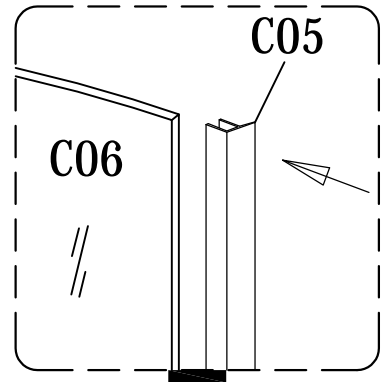
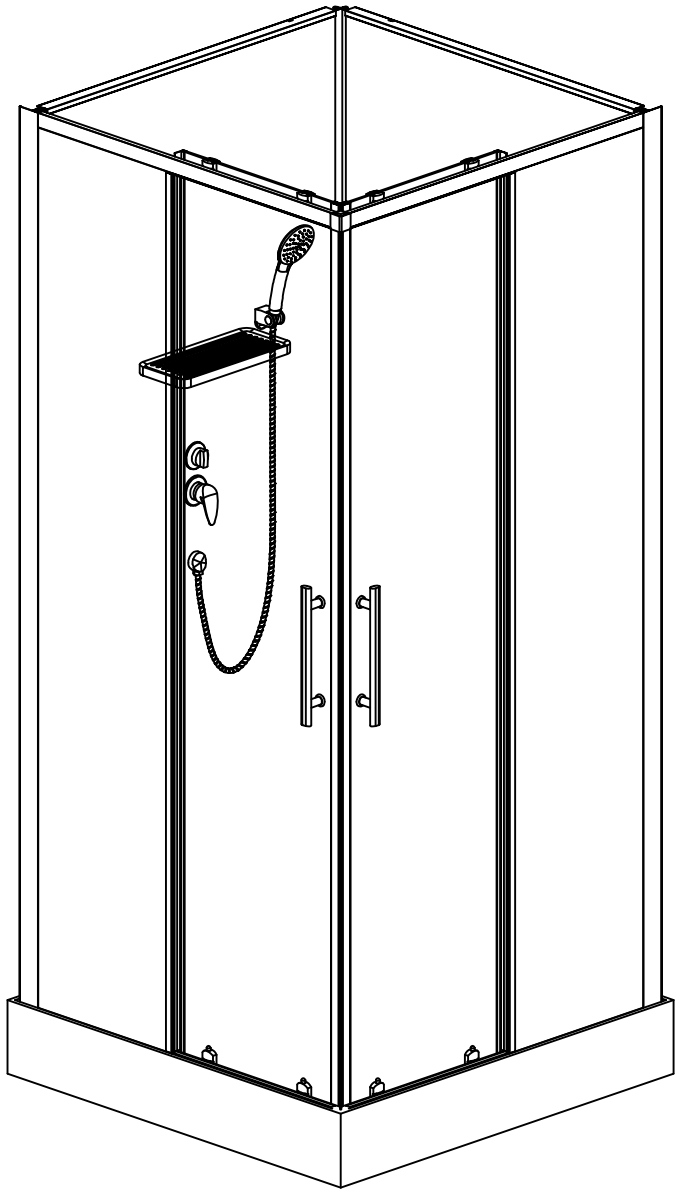
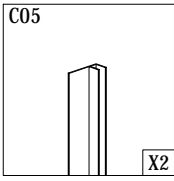
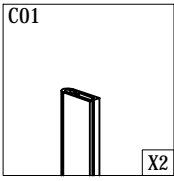


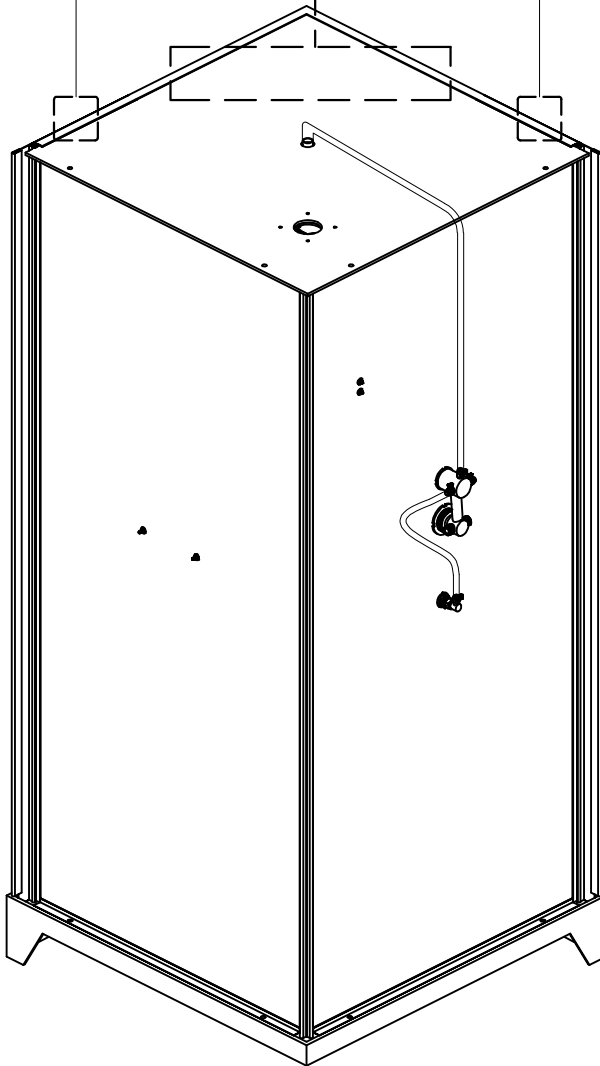
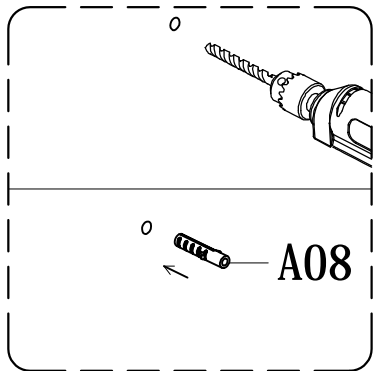
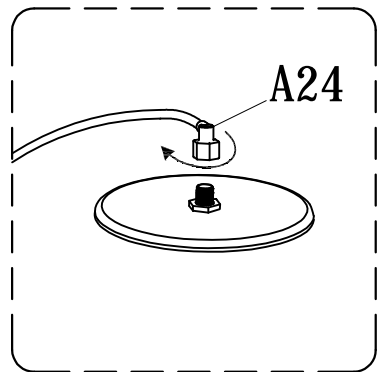
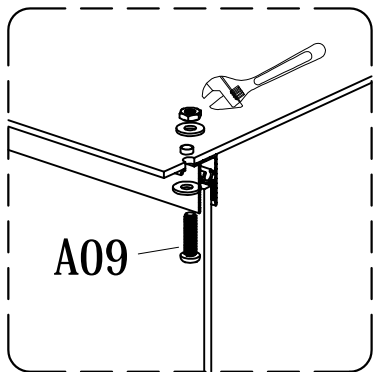
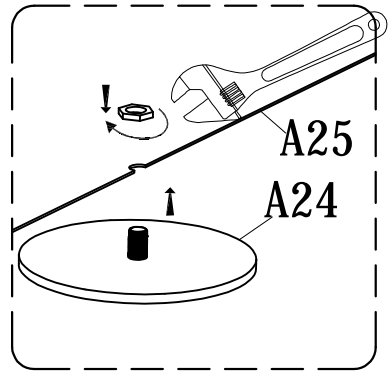
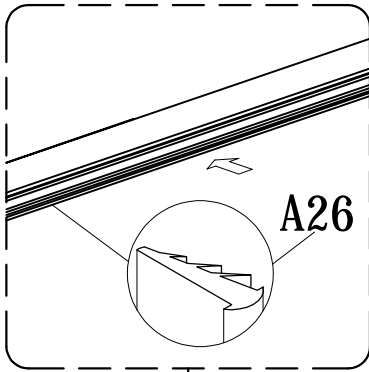
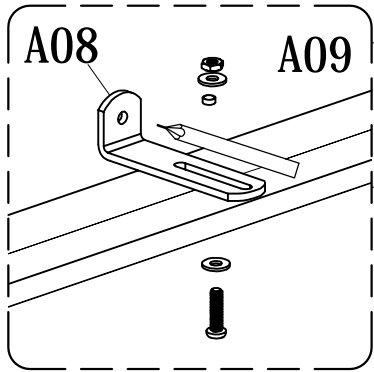
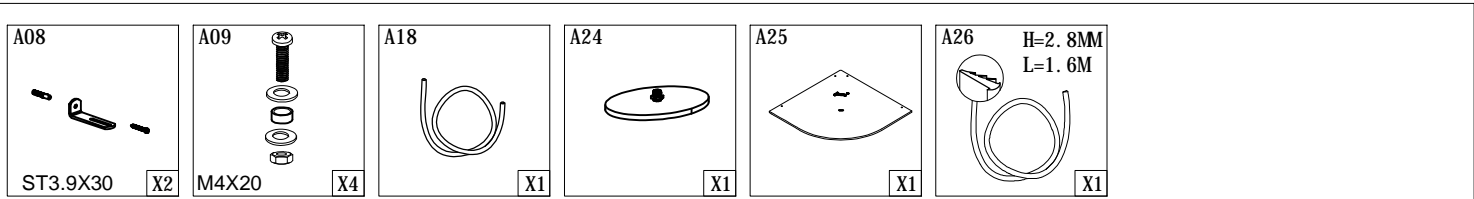


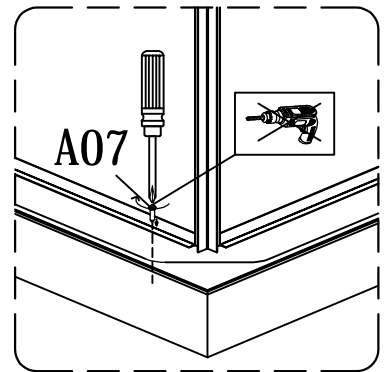
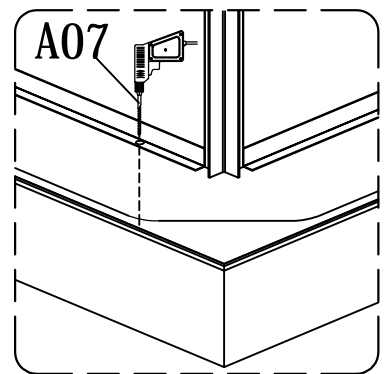
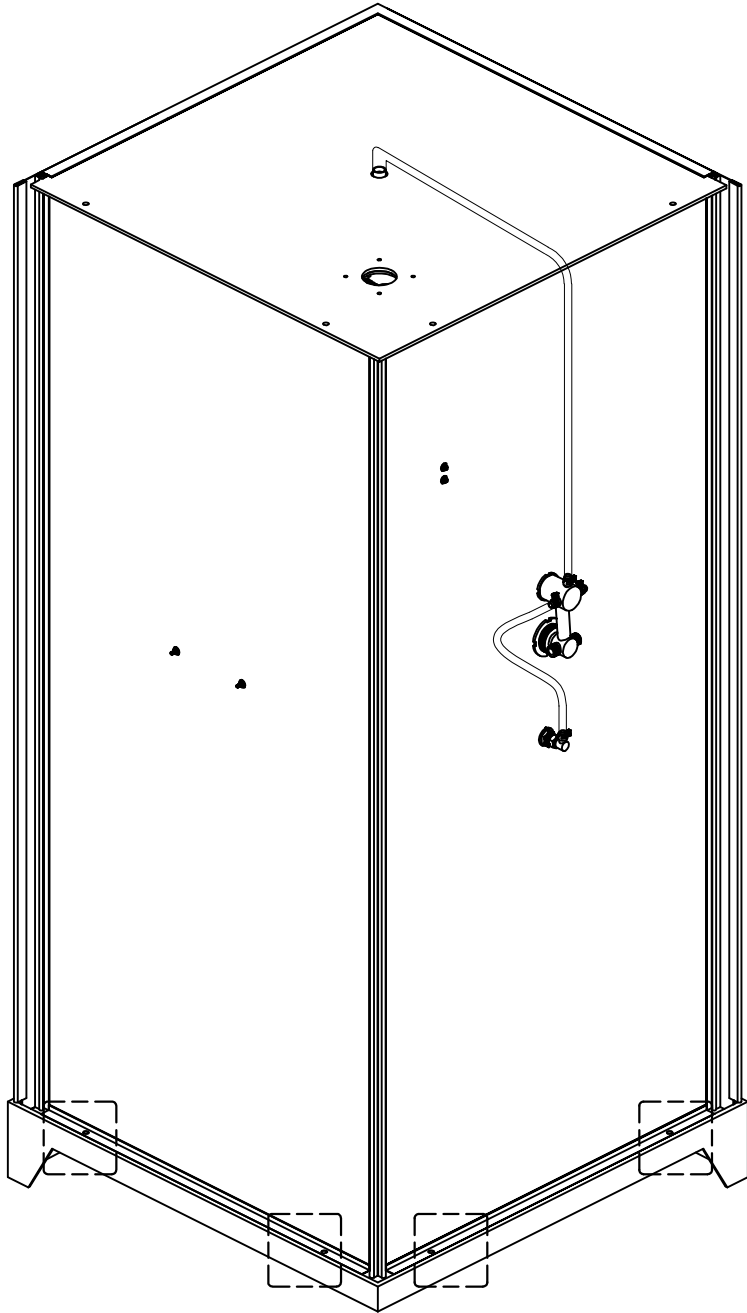
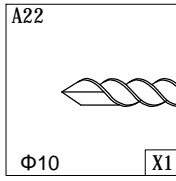
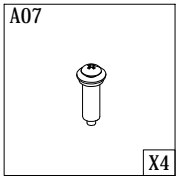
A05 H=6.8MM
90 L=5.3M
100 L=5.5M

A19









	A	B	C
ESB-80CKR	350	500	500
ESB-90CKR	350	600	600
ESB-100CKR	350	700	700

